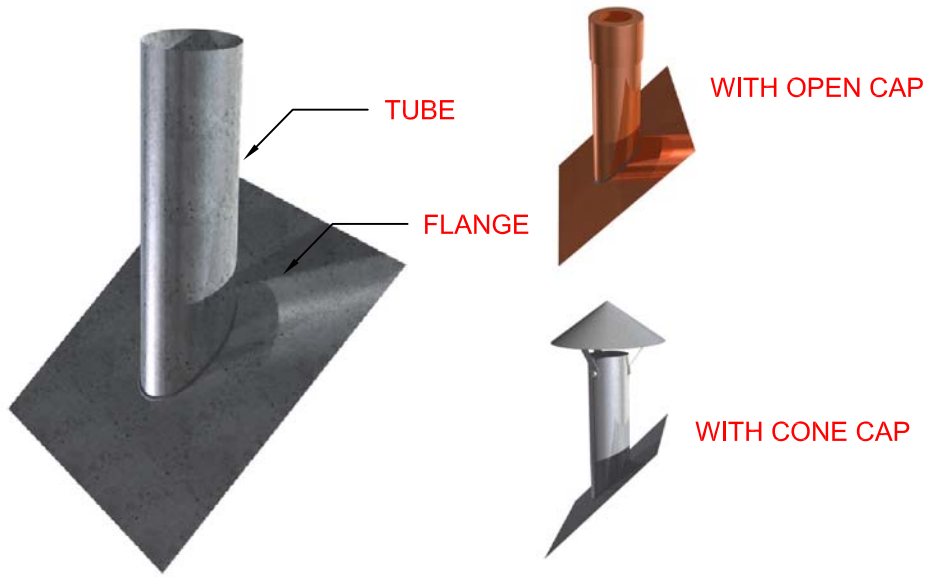


**SLOPED ROOF  
FLANGE  
METAL TUBE**



**STANDARD SIZE:**

TUBE:

DIA. H  
4 3/4" X 18"  
5" X 18"

FLANGE:

L1 L2  
18" X 18"

**MATERIAL:**

[ ] COPPER [ ] 16 [ ] 20  
[ ] STAINLESS STEEL 26  
[ ] LEAD COATED COPPER [ ] 16 [ ] 20

**DIMENSION:**

[ ] D  
[ ] HEIGHT

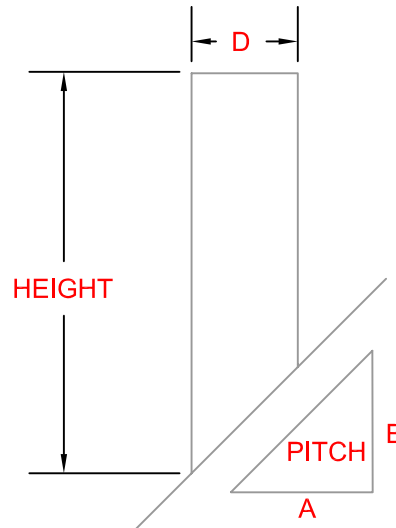
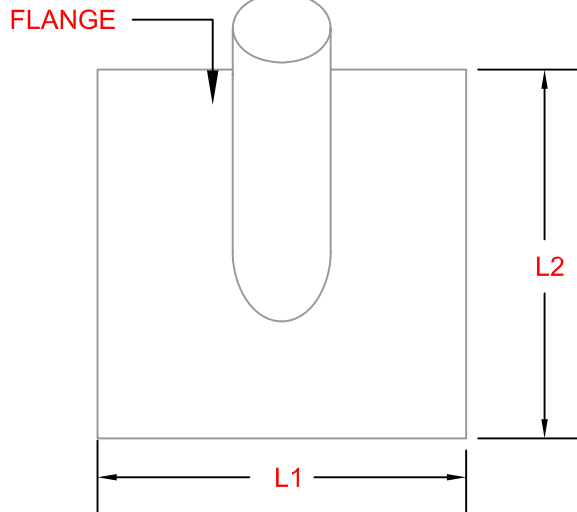
FLANGE:

[ ] L1  
[ ] L2

PITCH:

[ ] A  
[ ] B

QUANTITY [ ]



ONCE THE FABRICATION BEGINS, ITEMS CANNOT BE RETURNED. THE DETAILS FOR THIS JOB WERE CHECKED AND APPROVED BY: \_\_\_\_\_

B & B SALES REP

NAME: \_\_\_\_\_ SIGN: X \_\_\_\_\_

DATE: \_\_/\_\_/\_\_



25-40 50 TH AVE.  
LIC, NY 11101  
P 718 433 2501  
F 718 433 2709  
info@bbsheetmetal.com  
www.bbsheetmetal.com

COMPANY:

INVOICE:

PROJECT:

INSTALLATION INSTRUCTION:

OTHER:

DATE:

DRAWING #:

SRMFT01

PAGE(S):

1 OF 1

DRAWING BY:

NELSON SUT HO

APPROVED BY:

CHRIS PERO