

**LOIC B COPPER
CONDUCTOR HEAD**



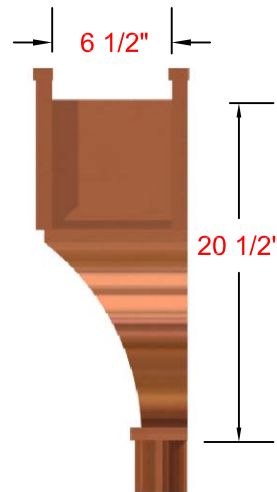
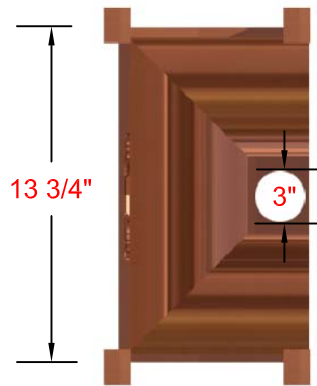
MATERIAL:

[] COPPER []16 []20
 [] LEAD COATED COPPER 16
 [] EVERGREEN COPPER 16

DIMENSION:

[] STANDARD 3" OUTLET

FOR THE CUSTOM SIZE, GO TO THE NEXT PAGE
TO SPECIFY YOUR DESIRE DIMENSIONS!!!



ONCE THE FABRICATION BEGINS, ITEMS CAN NOT
BE RETURNED. THE DETAILS FOR THIS JOB
WERE CHECKED AND
APPROVED BY: _____

B & B SALES REP

NAME: _____ SIGN: X _____

DATE: __ / __ / __



25-40 50 TH AVE.
LIC, NY 11101
P 718 433 2501
F 718 433 2709
info@bbsheetmetal.com
www.bbsheetmetal.com

COMPANY:

DATE:

INVOICE:

PO#:

DRAWING #:

L.H./C.H.-11

PROJECT:

PAGE(S):

1 OF 2

INSTALLATION INSTRUCTION:

DRAWING BY:

NELSON SUT HO

OTHER:

APPROVED BY:

BOBBY BASCHNAGEL

**LOIC B COPPER
CONDUCTOR HEAD**

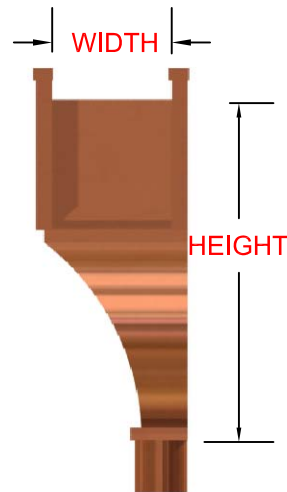
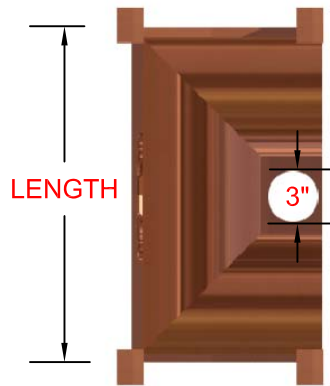


MATERIAL:

- COPPER []16 []20
- LEAD COATED COPPER 16
- EVERGREEN COPPER 16

DIMENSION:

- OUTLET
- WIDTH
- LENGTH
- HEIGHT



ONCE THE FABRICATION BEGINS, ITEMS CAN NOT BE RETURNED. THE DETAILS FOR THIS JOB WERE CHECKED AND APPROVED BY: _____

B & B SALES REP

NAME: _____ **SIGN:** X _____

DATE: __ / __ / __



25-40 50 TH AVE.
LIC, NY 11101
P 718 433 2501
F 718 433 2709
info@bbsheetmetal.com
www.bbsheetmetal.com

COMPANY:

DATE:

INVOICE:

PO#:

DRAWING #:

L.H./C.H.-11

PROJECT:

PAGE(S):

2 OF 2

INSTALLATION INSTRUCTION:

DRAWING BY:

NELSON SUT HO

OTHER:

APPROVED BY:

BOBBY BASCHNAGEL