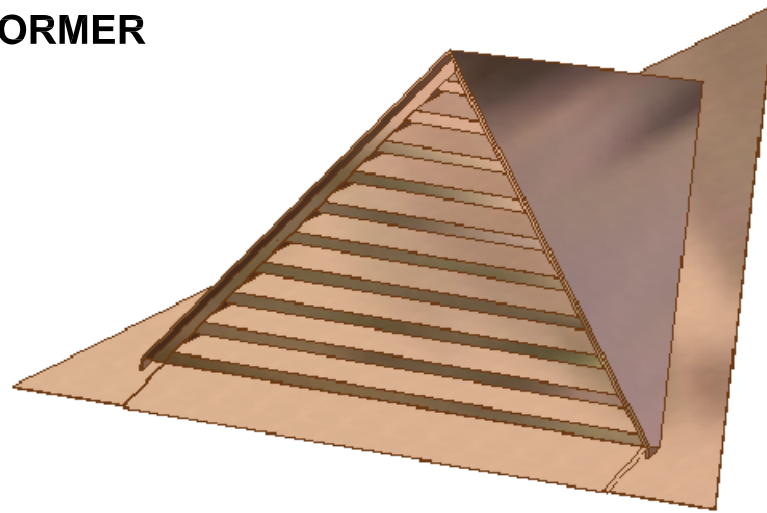


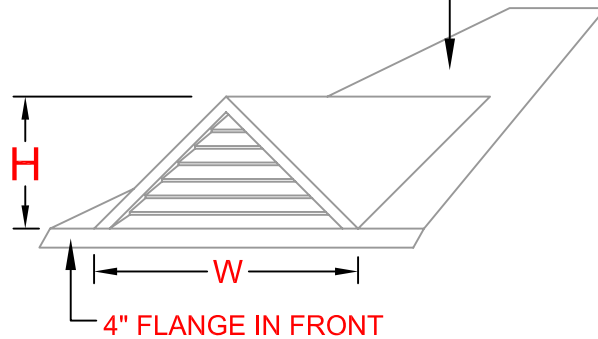
# TRIANGULAR LOUVER/DORMER



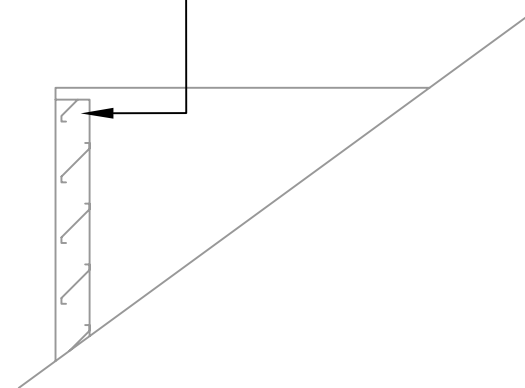
## DIMENSIONS AVAILABLE:

W	H	LOUVER DEPTH
24"	12"	2"
36"	18"	3"
48"	24"	3"
60"	30"	4"
72"	36"	4"
84"	42"	4"
96"	48"	4"

12" FLANGE SOLDERED OR SEALED WATERTIGHT



LOUVER W/ BUG SCREEN SET BACK FROM FACE



## LOUVER FREE AREA:

24"	12"	20 SQ.IN.
36"	18"	52 SQ.IN.
48"	24"	112 SQ.IN.
60"	30"	174 SQ.IN.
72"	36"	227 SQ.IN.
84"	42"	289 SQ.IN.
96"	48"	420 SQ.IN.



25-40 50 TH AVE.  
 LIC, NY 11101  
 P 718 433 2501  
 F 718 433 2709  
 info@bbsheetmetal.com  
 www.bbsheetmetal.com

COMPANY:

INVOICE:

PO#:

PROJECT:

INSTALLATION INSTRUCTION:

OTHER:

DATE:

DRAWING #:

DSRL/D-10

PAGE(S):

1 OF 2

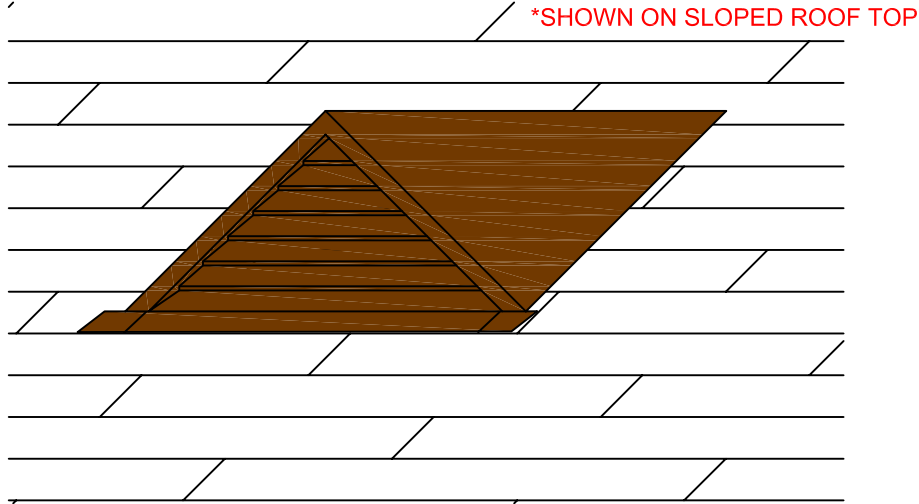
DRAWING BY:

NELSON SUT HO

APPROVED BY:

BOBBY BASCHNAGEL

# TRIANGULAR LOUVER/DORMER

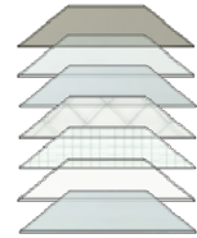


## MATERIAL:

- COPPER [ ]16 [ ]20
- FREEDOM GRAY [ ]16 [ ]20
- LEAD COATED COPPER [ ]16 [ ]20
- EVERGREEN COPPER [ ]16 [ ]20
- GALVANIZED [ ]22 [ ]24 [ ]26
- TERNE COATED STAINLESS STEEL [ ]26

## GLASS TYPE:

- LOUVER
- 1" BRONZE INSULATED UNIT
- 1" LOW E INSULATED UNIT
- 1" WHITE LAMINATED SAFETY
- 1/4" DIAMOND CLEAR WIRE
- 1/4" SQUARE HAMMER WIRE
- 1/4" LAMINATED SAFETY
- 1/4" WHITE LAMINATED SAFETY



## DIMENSION:

W	H	QTY.	PITCH	W	H	QTY.	PITCH
<input type="checkbox"/> 24"	<input type="checkbox"/> 12"	<input type="checkbox"/> [ ]	<input type="checkbox"/> [ ]	<input type="checkbox"/> 84"	<input type="checkbox"/> 42"	<input type="checkbox"/> [ ]	<input type="checkbox"/> [ ]
<input type="checkbox"/> 36"	<input type="checkbox"/> 18"	<input type="checkbox"/> [ ]	<input type="checkbox"/> [ ]	<input type="checkbox"/> 96"	<input type="checkbox"/> 48"	<input type="checkbox"/> [ ]	<input type="checkbox"/> [ ]
<input type="checkbox"/> 48"	<input type="checkbox"/> 24"	<input type="checkbox"/> [ ]	<input type="checkbox"/> [ ]				
<input type="checkbox"/> 60"	<input type="checkbox"/> 30"	<input type="checkbox"/> [ ]	<input type="checkbox"/> [ ]				
<input type="checkbox"/> 72"	<input type="checkbox"/> 36"	<input type="checkbox"/> [ ]	<input type="checkbox"/> [ ]				

CUSTOM: \_\_\_\_\_

**INSTALLATION:** MARK OPENING IN ROOF DECK ON DESIRED COURSE. CUT OPENING IN DECK. POSITION DORMER OVER OPENING AND FASTEN TO DECK.

**OTHER INFORMATION:** SPECIFY EXACT ROOF PITCH.

**OTHER:** INCLUDES INSECT SCREEN OF COMPATIBLE MATERIAL.

ONCE THE FABRICATION BEGINS, ITEMS CAN NOT BE RETURNED. THE DETAILS FOR THIS JOB WERE CHECKED AND APPROVED BY:

\_\_\_\_\_ B & B SALES REP

NAME: \_\_\_\_\_ SIGN: X \_\_\_\_\_

DATE: \_\_ / \_\_ / \_\_



25-40 50 TH AVE.  
 LIC, NY 11101  
 P 718 433 2501  
 F 718 433 2709  
 info@bbsheetmetal.com  
 www.bbsheetmetal.com

COMPANY:	DATE:
INVOICE: PO#:	DRAWING #: DSRL/D-10
PROJECT:	PAGE(S): 2 OF 2
INSTALLATION INSTRUCTION:	DRAWING BY: NELSON SUT HO
OTHER:	APPROVED BY: BOBBY BASCHNAGEL