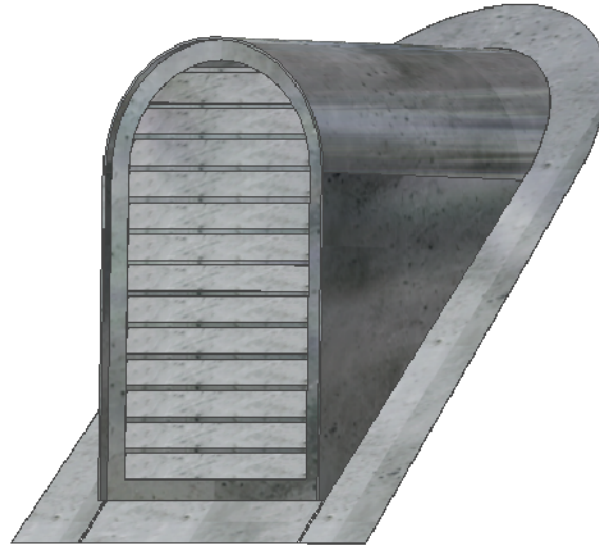


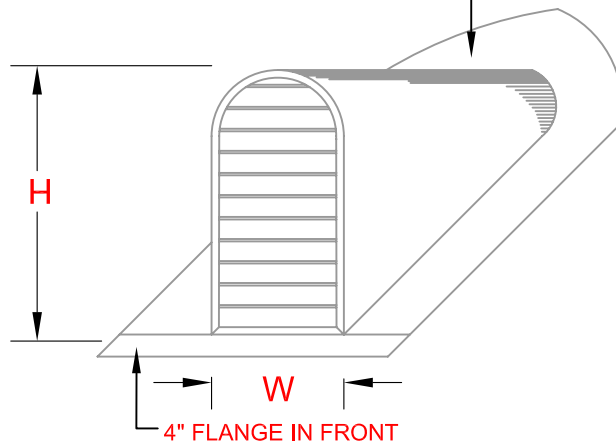
# ROUND TOP LOUVER/DORMER



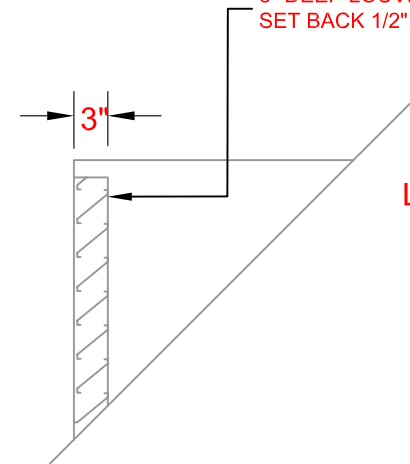
## DIMENSIONS AVAILABLE:

W	H	LOUVER DEPTH
18"	36"	3"
24"	36"	3"
36"	48"	3"
48"	60"	3"
60"	60"	3"

12" FLANGE SOLDERED OR SEALED WATERTIGHT



3" DEEP LOUVER W/ BUG SCREEN SET BACK 1/2" FROM FACE



## LOUVER FREE AREA:

18"	36"	138 SQ.IN.
24"	36"	176 SQ.IN.
24"	48"	254 SQ.IN.
30"	60"	384 SQ.IN.
36"	60"	461 SQ.IN.



25-40 50 TH AVE.  
 LIC, NY 11101  
 P 718 433 2501  
 F 718 433 2709  
 info@bbsheetmetal.com  
 www.bbsheetmetal.com

COMPANY:

INVOICE:

PO#:

PROJECT:

INSTALLATION INSTRUCTION:

OTHER:

DATE:

DRAWING #:

DSRL/D-09

PAGE(S):

1 OF 2

DRAWING BY:

NELSON SUT HO

APPROVED BY:

BOBBY BASCHNAGEL

