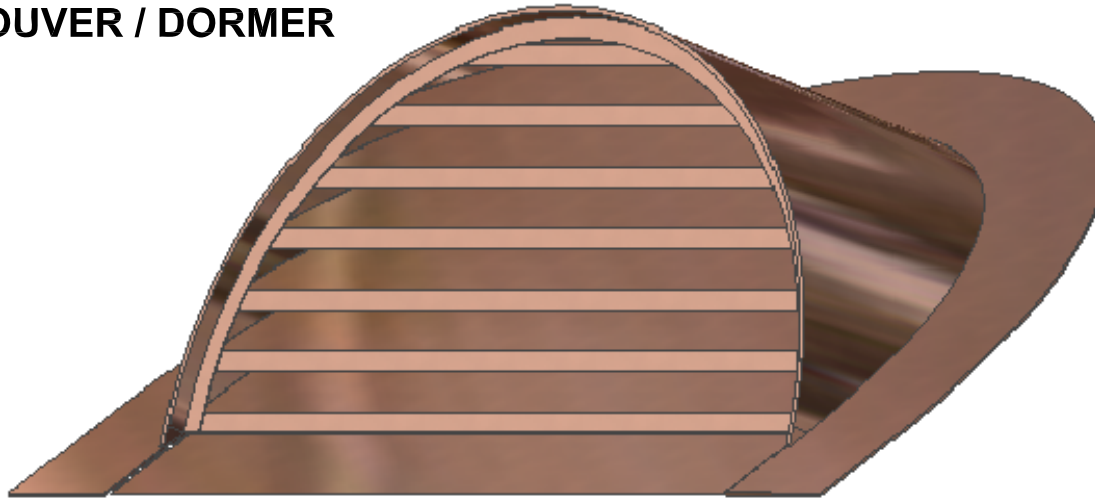


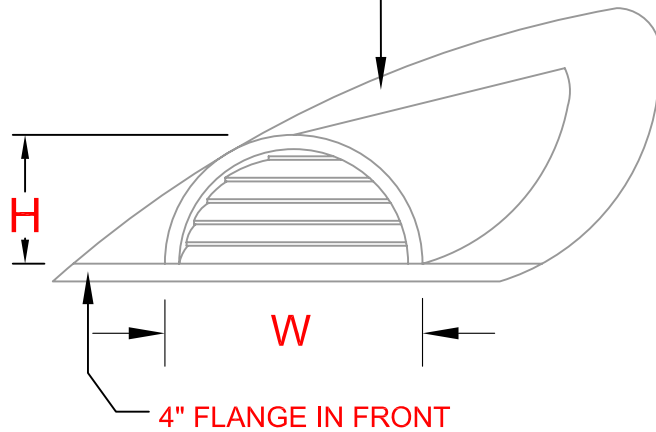
# HALF ROUND LOUVER / DORMER



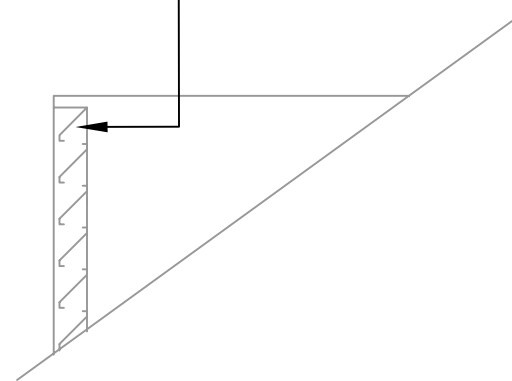
## DIMENSIONS AVAILABLE:

W	H	LOUVER DEPTH
18"	9"	2"
24"	12"	2"
36"	18"	3"
48"	24"	3"
60"	30"	4"
72"	36"	4"
84"	42"	4"
96"	48"	4"

12" FLANGE SOLDERED OR SEALED WATERTIGHT



LOUVER W/ BUG SCREEN SET BACK FROM FACE



## LOUVER FREE AREA:

18"	9"	20 SQ.IN.
24"	12"	38 SQ.IN.
36"	18"	103 SQ.IN.
48"	24"	194 SQ.IN.
60"	30"	211 SQ.IN.
72"	36"	530 SQ.IN.
84"	42"	530 SQ.IN.
96"	48"	754 SQ.IN.



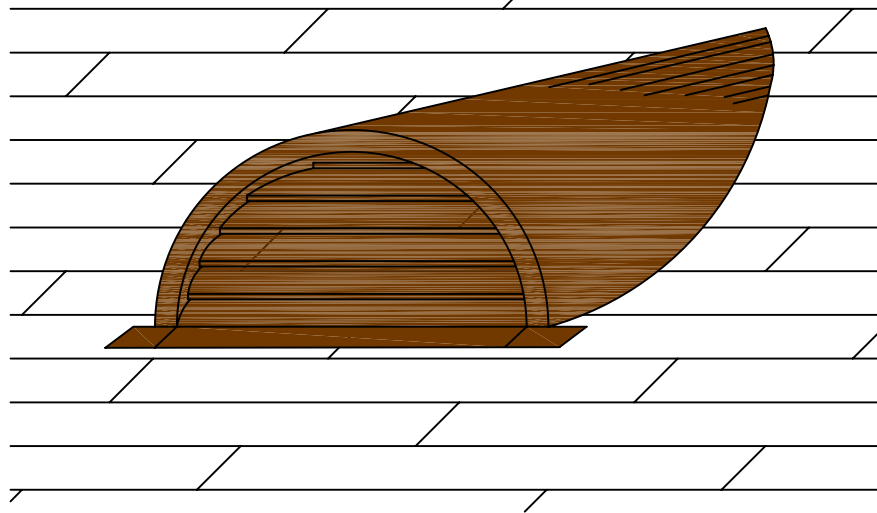
4 Generations of Experience & 100 Years of Excellence

25-40 50 TH AVE.  
 LIC, NY 11101  
 P 718 433 2501  
 F 718 433 2709  
 info@bbsheetmetal.com  
 www.bbsheetmetal.com

COMPANY:	DATE:
INVOICE:	DRAWING #:
PROJECT:	DSRL/D-07
INSTALLATION INSTRUCTION:	PAGE(S):
OTHER:	1 OF 2
	DRAWING BY:
	NELSON SUT HO
	APPROVED BY:
	BOBBY BASCHNAGEL

# HALF ROUND LOUVER / DORMER

\*SHOWN ON SLOPED ROOF TOP

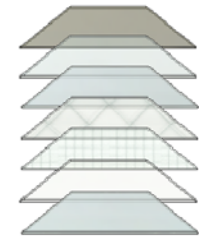


## MATERIAL:

- |   |                              |                              |                              |
|---|------------------------------|------------------------------|------------------------------|
| <input type="checkbox"/> COPPER                       | <input type="checkbox"/> ]16 | <input type="checkbox"/> ]20 |                              |
| <input type="checkbox"/> FREEDOM GRAY                 | <input type="checkbox"/> ]16 | <input type="checkbox"/> ]20 |                              |
| <input type="checkbox"/> LEAD COATED COPPER           | <input type="checkbox"/> ]16 | <input type="checkbox"/> ]20 |                              |
| <input type="checkbox"/> EVERGREEN COPPER             | <input type="checkbox"/> ]16 | <input type="checkbox"/> ]20 |                              |
| <input type="checkbox"/> GALVANIZED                   | <input type="checkbox"/> ]22 | <input type="checkbox"/> ]24 | <input type="checkbox"/> ]26 |
| <input type="checkbox"/> TERNE COATED STAINLESS STEEL | <input type="checkbox"/> ]26 |                              |                              |

## GLASS TYPE:

- LOUVER
- 1" BRONZE INSULATED UNIT
- 1" LOW E INSULATED UNIT
- 1" WHITE LAMINATED SAFETY
- 1/4" DIAMOND CLEAR WIRE
- 1/4" SQUARE HAMMER WIRE
- 1/4" LAMINATED SAFETY
- 1/4" WHITE LAMINATED SAFETY



## DIMENSION:

W	H	QTY.	PITCH	W	H	QTY.	PITCH
<input type="checkbox"/> 18"	<input type="checkbox"/> 9"	<input type="checkbox"/> [ ]	<input type="checkbox"/> [ ]	<input type="checkbox"/> 72"	<input type="checkbox"/> 36"	<input type="checkbox"/> [ ]	<input type="checkbox"/> [ ]
<input type="checkbox"/> 24"	<input type="checkbox"/> 12"	<input type="checkbox"/> [ ]	<input type="checkbox"/> [ ]	<input type="checkbox"/> 84"	<input type="checkbox"/> 42"	<input type="checkbox"/> [ ]	<input type="checkbox"/> [ ]
<input type="checkbox"/> 36"	<input type="checkbox"/> 18"	<input type="checkbox"/> [ ]	<input type="checkbox"/> [ ]	<input type="checkbox"/> 96"	<input type="checkbox"/> 48"	<input type="checkbox"/> [ ]	<input type="checkbox"/> [ ]
<input type="checkbox"/> 48"	<input type="checkbox"/> 24"	<input type="checkbox"/> [ ]	<input type="checkbox"/> [ ]				
<input type="checkbox"/> 60"	<input type="checkbox"/> 30"	<input type="checkbox"/> [ ]	<input type="checkbox"/> [ ]				

CUSTOM: \_\_\_\_\_

**INSTALLATION:** MARK OPENING IN ROOF DECK ON DESIRED COURSE. CUT OPENING IN DECK. POSITION DORMER OVER OPENING AND FASTEN TO DECK.

**OTHER IN FORMATION:** SPECIFY EXACT ROOF PITCH.

**OTHER:** INCLUDES INSECT SCREEN OF COMPATIBLE MATERIAL.

ONCE THE FABRICATION BEGINS, ITEMS CAN NOT BE RETURNED. THE DETAILS FOR THIS JOB WERE CHECKED AND APPROVED BY:

\_\_\_\_\_ B & B SALES REP

NAME: \_\_\_\_\_ SIGN: X \_\_\_\_\_

DATE: \_\_\_ / \_\_\_ / \_\_\_



25-40 50 TH AVE.  
 LIC, NY 11101  
 P 718 433 2501  
 F 718 433 2709  
 info@bbsheetmetal.com  
 www.bbsheetmetal.com

COMPANY:	DATE:
INVOICE: _____ PO#: _____	DRAWING #: _____
PROJECT: _____	PAGE(S): _____
INSTALLATION INSTRUCTION: _____	DRAWING BY: _____
OTHER: _____	APPROVED BY: _____

DSRL/D-07  
2 OF 2  
NELSON SUT HO  
BOBBY BASCHNAGEL