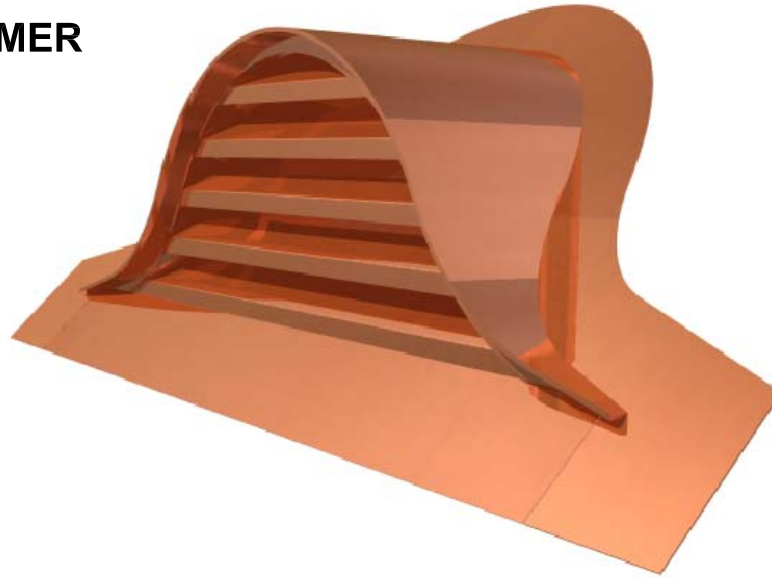
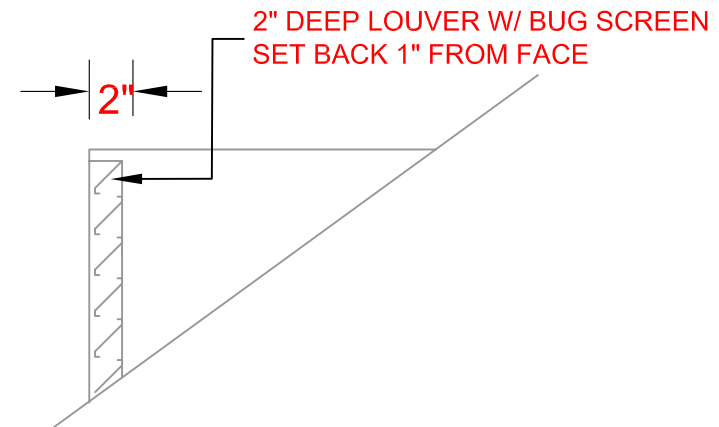
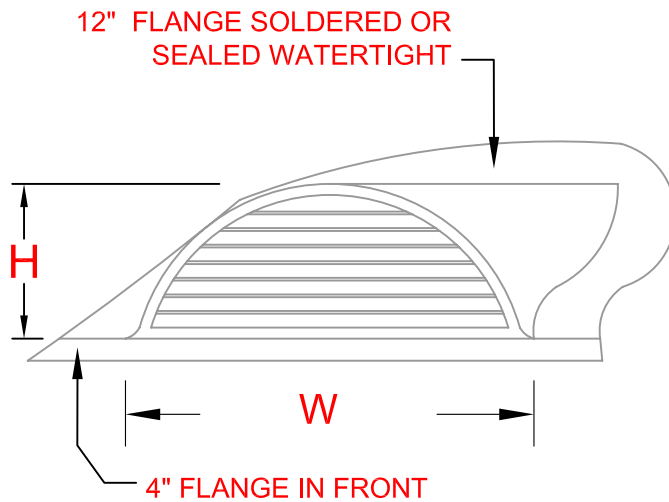


EYEBROW LOUVER/DORMER



DIMENSIONS AVAILABLE:

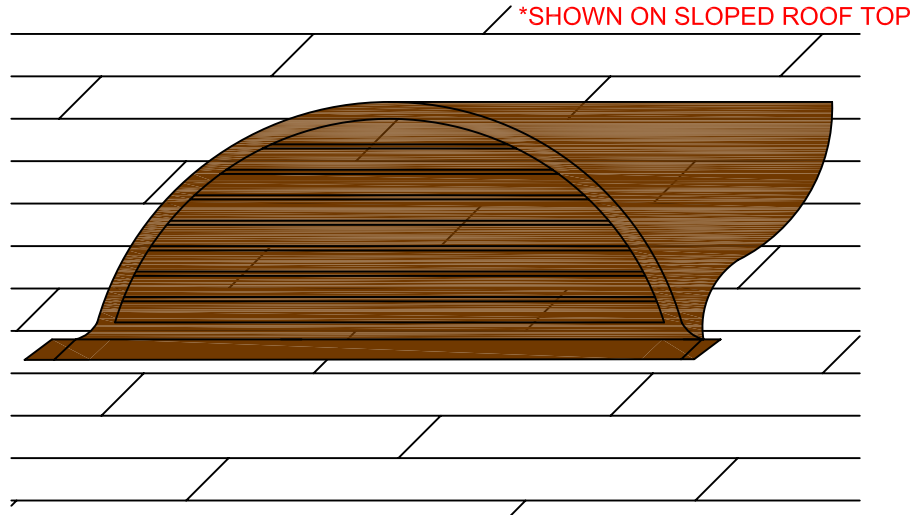
W	H	LOUVER DEPTH
24"	9"	2"
36"	12"	2"
48"	15"	2"
54"	18"	2"
72"	24"	2"
90"	30"	2"



25-40 50 TH AVE.
 LIC, NY 11101
 P 718 433 2501
 F 718 433 2709
 info@bbsheetmetal.com
 www.bbsheetmetal.com

COMPANY:	DATE:
INVOICE:	DRAWING #: DSRL/D-05
PROJECT:	PAGE(S): 1 OF 2
INSTALLATION INSTRUCTION:	DRAWING BY: NELSON SUT HO
OTHER:	APPROVED BY: BOBBY BASCHNAGEL

EYEBROW LOUVER/DORMER

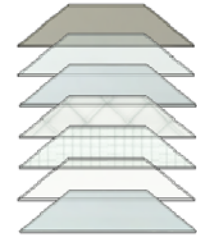


MATERIAL:

- | | |
|---|-------------------|
| <input type="checkbox"/> COPPER | []16 []20 |
| <input type="checkbox"/> FREEDOM GRAY | []16 []20 |
| <input type="checkbox"/> LEAD COATED COPPER | []16 []20 |
| <input type="checkbox"/> EVERGREEN COPPER | []16 []20 |
| <input type="checkbox"/> GALVANIZED | []22 []24 []26 |
| <input type="checkbox"/> TERNE COATED STAINLESS STEEL | []26 |

GLASS TYPE:

- LOUVER
- 1" BRONZE INSULATED UNIT
- 1" LOW E INSULATED UNIT
- 1" WHITE LAMINATED SAFETY
- 1/4" DIAMOND CLEAR WIRE
- 1/4" SQUARE HAMMER WIRE
- 1/4" LAMINATED SAFETY
- 1/4" WHITE LAMINATED SAFETY



INSTALLATION: MARK OPENING IN ROOF DECK ON DESIRED COURSE.
CUT OPENING IN DECK. POSITION DORMER OVER
OPENING AND FASTEN TO DECK.

OTHER IN FORMATION: SPECIFY EXACT ROOF PITCH.

OTHER: INCLUDES INSECT SCREEN OF COMPATIBLE MATERIAL.

DIMENSION:

W	H	QTY.	PITCH	W	H	QTY.	PITCH
[]24"	9"	[]	[]	[]90"	30"	[]	[]
[]36"	12"	[]	[]				
[]48"	15"	[]	[]				
[]54"	18"	[]	[]				
[]72"	24"	[]	[]				

CUSTOM: _____

ONCE THE FABRICATION BEGINS, ITEMS CAN NOT BE RETURNED. THE DETAILS FOR THIS JOB WERE CHECKED AND APPROVED BY:

_____ **B & B SALES REP**

NAME: _____ **SIGN:** X _____

DATE: ___ / ___ / ___



25-40 50 TH AVE.
LIC, NY 11101
P 718 433 2501
F 718 433 2709
info@bbsheetmetal.com
www.bbsheetmetal.com

COMPANY:

DATE:

INVOICE:

PO#:

DRAWING #:

DSRL/D-05

PROJECT:

PAGE(S):

2 OF 2

INSTALLATION INSTRUCTION:

DRAWING BY:

NELSON SUT HO

OTHER:

APPROVED BY:

BOBBY BASCHNAGEL