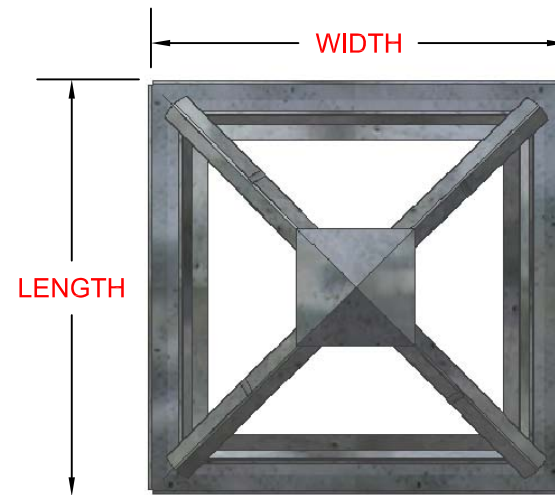
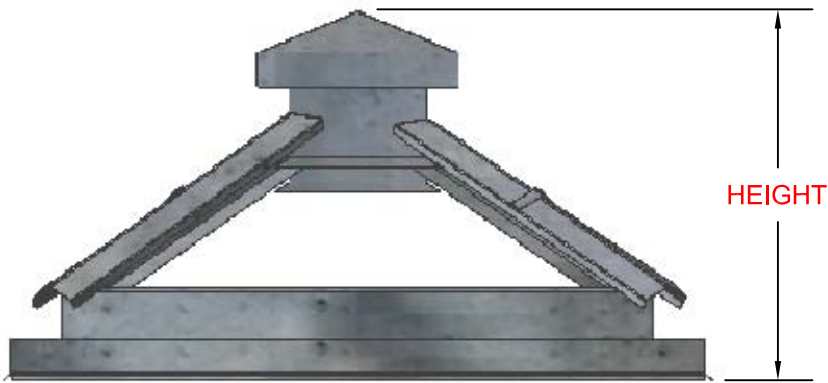
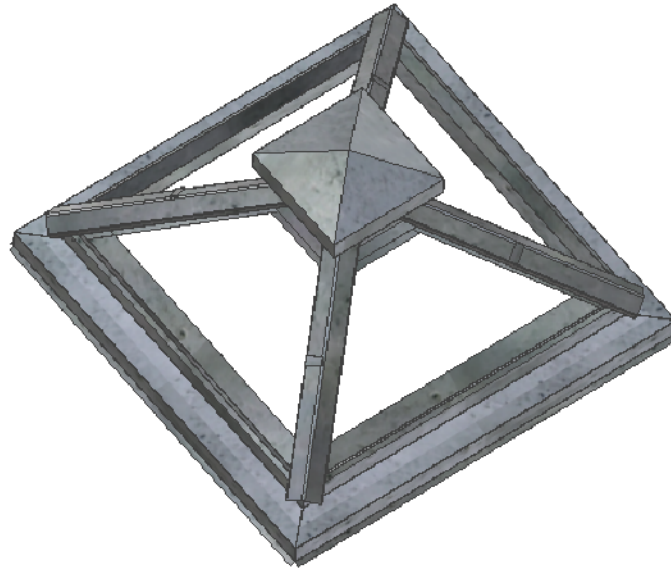


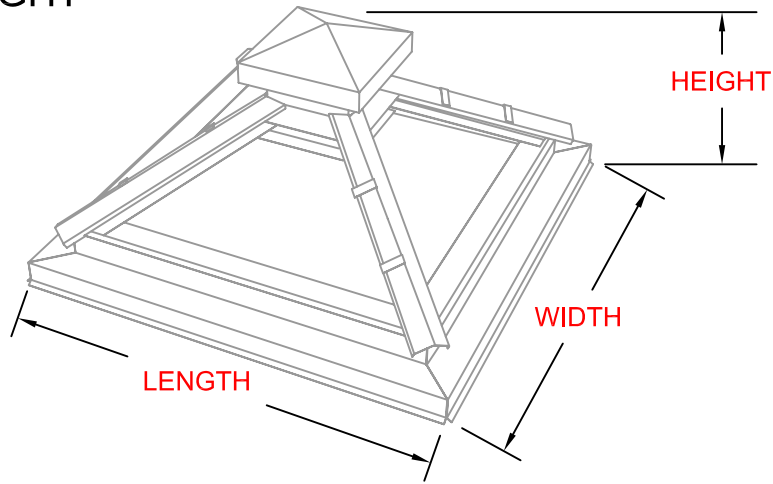
HIP VENT SKYLIGHT



25-40 50 TH AVE.
 LIC, NY 11101
 P 718 433 2501
 F 718 433 2709
 info@bbsheetmetal.com
 www.bbsheetmetal.com

COMPANY:		DATE:
INVOICE:	PO#:	DRAWING #: SFR-07
PROJECT:		PAGE(S): 1 OF 2
INSTALLATION INSTRUCTION:		DRAWING BY: NELSON SUT HO
OTHER:		APPROVED BY: BOBBY BASCHNAGEL

HIP VENT SKYLIGHT

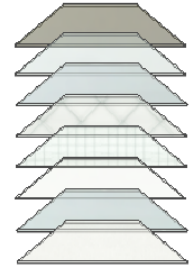


MATERIAL:

- COPPER 16 20
- FREEDOM GRAY 16 20
- LEAD COATED COPPER 16 20
- EVERGREEN COPPER 16 20
- GALVANIZED 24 26
- TERNE COATED STAINLESS STEEL 26

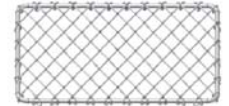
GLASS TYPE:

- NO GLASS
- 1" BRONZE INSULATED UNIT
- 1" LOW E INSULATED UNIT
- 1" WHITE LAMINATED SAFETY
- 1/4" DIAMOND CLEAR WIRE
- 1/4" SQUARE HAMMER WIRE
- 1/4" LAMINATED SAFETY
- 1/4" WHITE LAMINATED SAFETY
- 1/4" RIBBED



PROTECTIVE SCREEN:

- NO PROTECTIVE SCREEN
- TOP
- BOTTOM
- TOP & BOTTOM

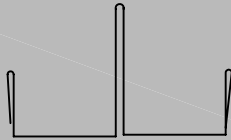


WIDTH: [] LENGTH: [] HEIGHT: []

OFFICE USE ONLY

BARS:

COMMON BAR

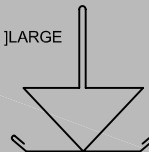


PUDDY BAR

SMALL



LARGE



ONCE THE FABRICATION BEGINS, ITEMS CANNOT BE RETURNED. THE DETAILS FOR THIS JOB WERE CHECKED AND APPROVED BY:

B & B SALES REP

NAME: _____ SIGN: X _____

DATE: __ / __ / __



25-40 50 TH AVE.
 LIC, NY 11101
 P 718 433 2501
 F 718 433 2709
 info@bbsheetmetal.com
 www.bbsheetmetal.com

COMPANY:

DATE:

INVOICE:

PO#:

DRAWING #:

SFR-07

PROJECT:

PAGE(S):

2 OF 2

INSTALLATION INSTRUCTION:

DRAWING BY:

NELSON SUT HO

OTHER:

APPROVED BY:

BOBBY BASCHNAGEL