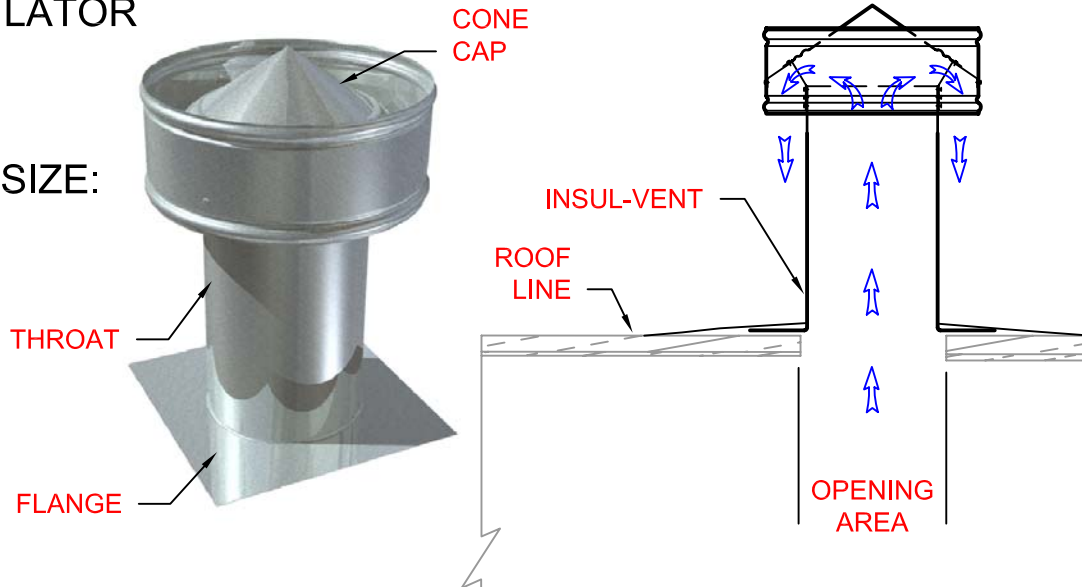


INSUL-VENTILATOR

STANDARD SIZE:

FLANGE:

- L1 L2
- 08" X 08"
- 09" X 09"
- 10" X 10"
- 11" X 11"
- 12" X 12"
- 13" X 13"
- 14" X 14"
- 16" X 16"



MATERIAL:

- [] COPPER 16 OZ
- [] STAINLESS STEEL 26 OZ
- [] GALVANIZED STEEL 26 OZ

DIMENSION:

FLANGE:

- [] L1
- [] L2

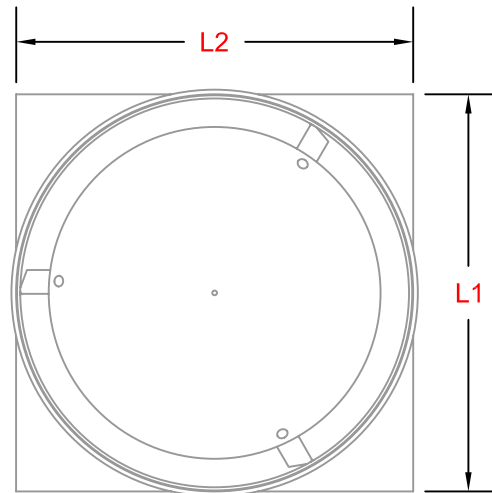
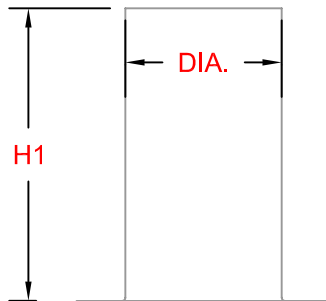
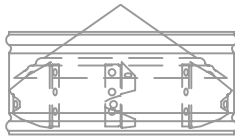
THROAT:

- [] DIAMETER
- [] H1

QUANTITY []

*NOTE:

THE HEIGHT AND THE DIAMETER OF THE THROAT CAN BE CUSTOMIZED TO YOUR DIMENSIONS



ONCE THE FABRICATION BEGINS, ITEMS CAN NOT BE RETURNED. THE DETAILS FOR THIS JOB WERE CHECKED AND APPROVED BY: _____

B & B SALES REP

NAME: _____ SIGN: X _____

DATE: __ / __ / __



25-40 50 TH AVE.
 LIC, NY 11101
 P 718 433 2501
 F 718 433 2709
 info@bbsheetmetal.com
 www.bbsheetmetal.com

COMPANY:

INVOICE:

PROJECT:

INSTALLATION INSTRUCTION:

OTHER:

DATE:

DRAWING #:

FRV03

PAGE(S):

1 OF 1

DRAWING BY:

NELSON SUT HO

APPROVED BY:

BOBBY BASCHNAGELS