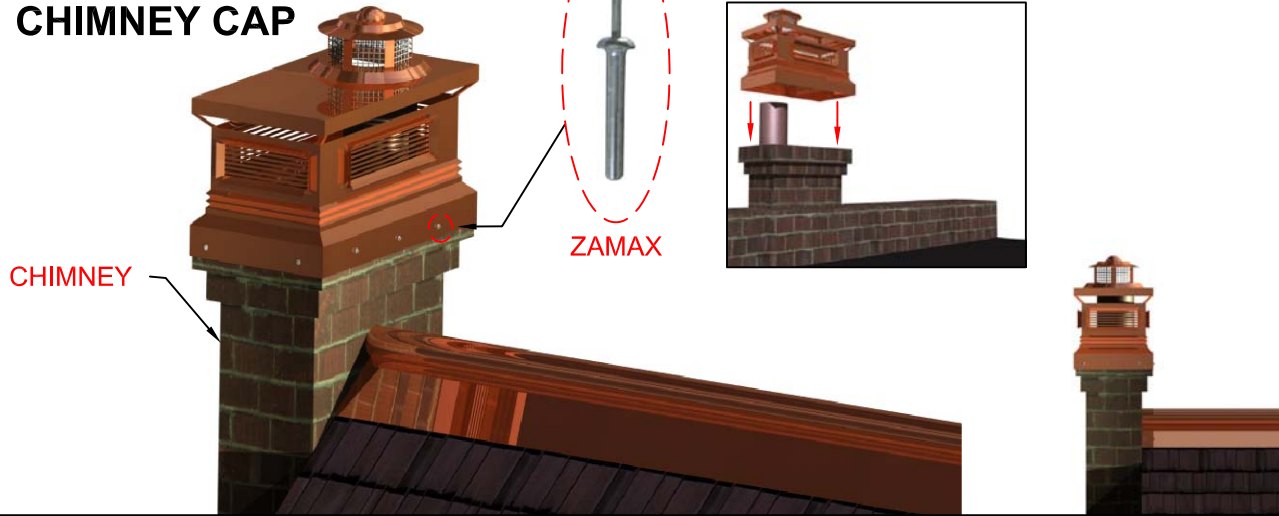


COLONIAL CHIMNEY CAP



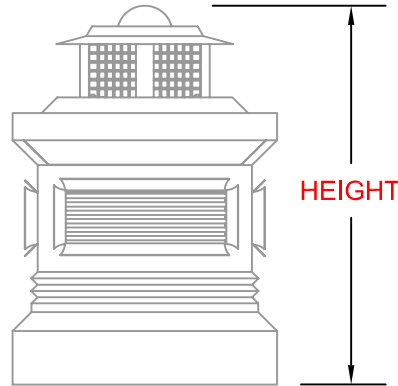
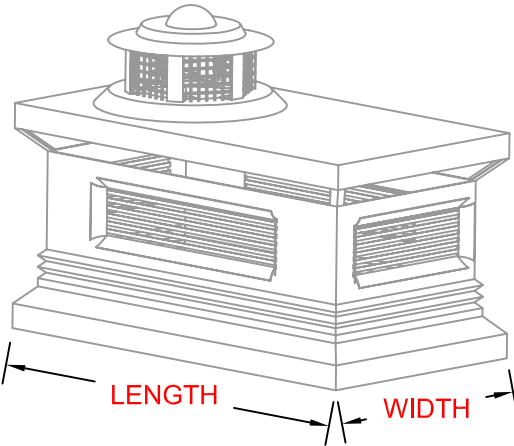
MATERIAL:

- [] COPPER []16 []20
- [] FREEDOM GRAY []16 []20
- [] LEAD COATED COPPER []16 []20
- [] EVERGREEN COPPER []16 []20
- [] GALVANIZED STEEL []24 []26
- [] TERNE COATED STAINLESS STEEL **26**

DIMENSION:

- []LENGTH
- []WIDTH
- []HEIGHT

QUANTITY[]



***NOTE:**
THE HEIGHT OF THIS
CHIMNEY CAP COMES
IN STANDARD 24". IT
ALSO CAN BE
CUSTOMIZED.

ONCE THE FABRICATION BEGINS, ITEMS CAN NOT BE RETURNED. THE DETAILS FOR THIS JOB WERE CHECKED AND APPROVED BY: _____

B & B SALES REP

NAME: _____ SIGN: X _____

DATE: __/__/__



25-40 50 TH AVE.
LIC, NY 11101
P 718 433 2501
F 718 433 2709
info@bbsheetmetal.com
www.bbsheetmetal.com

COMPANY:	DATE:
INVOICE: PO#:	DRAWING #: CHCAP-06
PROJECT:	PAGE(S): 1 OF 1
INSTALLATION INSTRUCTION:	DRAWING BY: NELSON SUT HO
OTHER:	APPROVED BY: