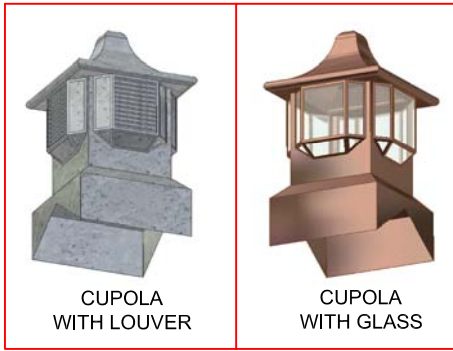


VILLA CUPOLA



*SHOWN ON GABLE ROOF

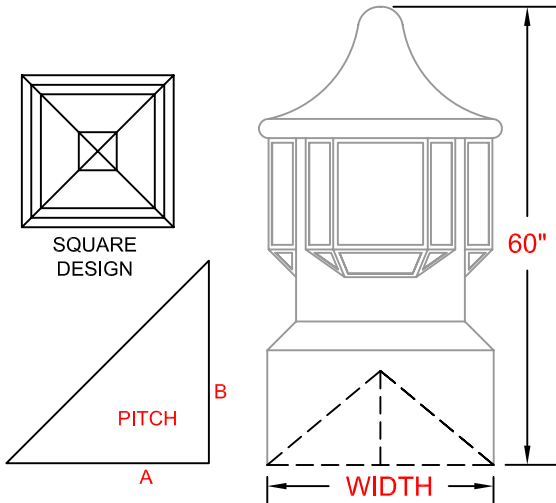


CUPOLA WITH LOUVER

CUPOLA WITH GLASS

*NOTE:
THIS TYPE OF CUPOLA IS DESIGNED FOR MOST COMMON TYPES OF ROOFS.

*NOTE:
THE STANDARD SIZE OF THIS CUPOLA IS 33" X 60".

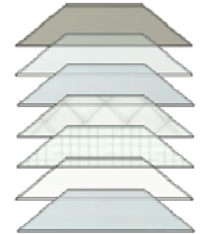


MATERIAL:

- COPPER []16 []20
- LEAD COATED COPPER []16 []20
- PATINA COPPER []16 []20

GLASS TYPE:

- LOUVER
- 1" BRONZE INSULATED UNIT
- 1" LOW E INSULATED UNIT
- 1" WHITE LAMINATED SAFET
- 1/4" DIAMOND CLEAR WIRE
- 1/4" SQUARE HAMMER WIRE
- 1/4" LAMINATED SAFETY
- 1/4" WHITE LAMINATED SAFE



DIMENSION:

- WIDTH
- HEIGHT
- PITCH**
- A B
- QUANTITY[]

*NOTE:
ALL CUPOLAS AVAILABLE IN CUSTOM SIZES TO YOUR DIMENSIONS. GLASSES AND LOUVERS CAN ALSO BE CUSTOMIZED BASE ON THE CUSTOM SIZES OF THE CUPOLAS

ONCE THE FABRICATION BEGINS, ITEMS CAN NOT BE RETURNED. THE DETAILS FOR THIS JOB WERE CHECKED AND APPROVED BY: _____

B & B SALES REP

NAME: _____ SIGN: X _____

DATE: __/__/__



25-40 50 TH AVE.
LIC, NY 11101
P 718 433 2501
F 718 433 2709
info@bbsheetmetal.com
www.bbsheetmetal.com

COMPANY:

INVOICE: PO#:

PROJECT:

INSTALLATION INSTRUCTION:

OTHER:

DATE:

DRAWING #:

CUPOLA-12

PAGE(S):

1 OF 1

DRAWING BY:

NELSON SUT HO

APPROVED BY:

BOBBY BASCHNAGEL