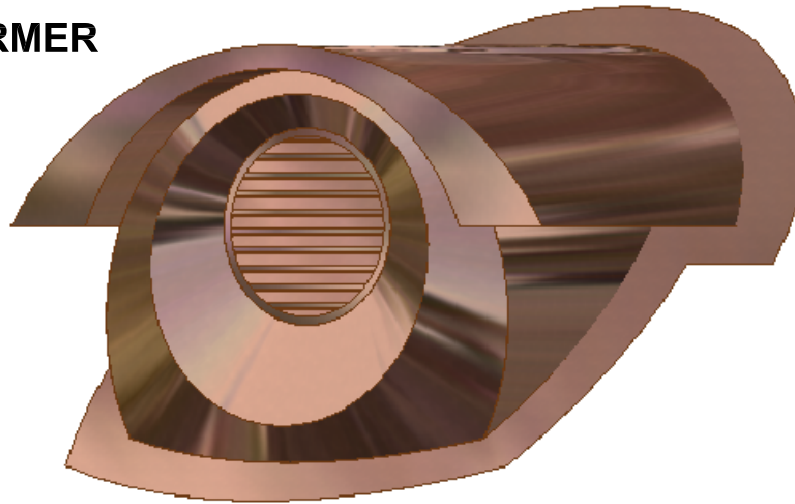
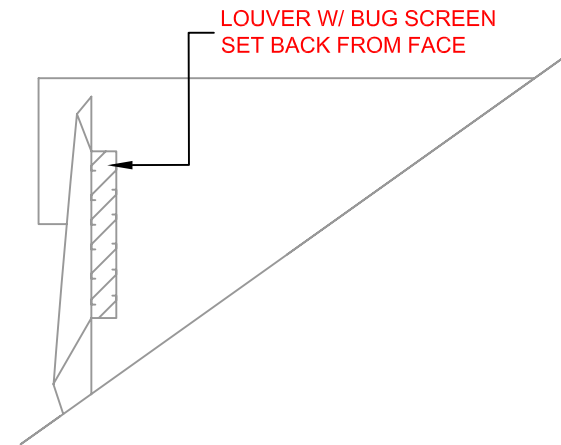
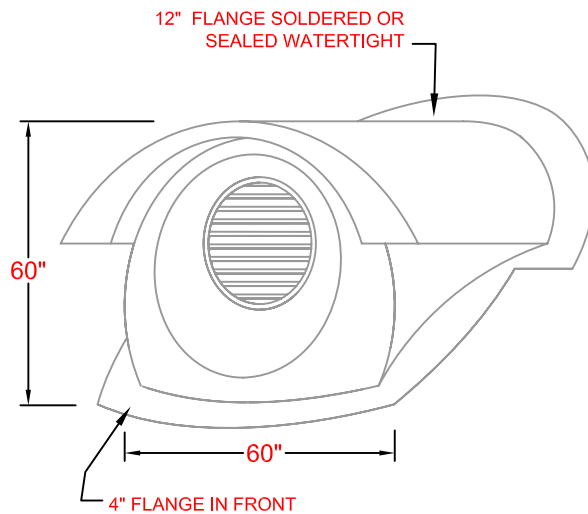


DOLPHIN LOUVER / DORMER



DIMENSIONS AVAILABLE:
W H LOUVER DEPTH
60" 60" 4"

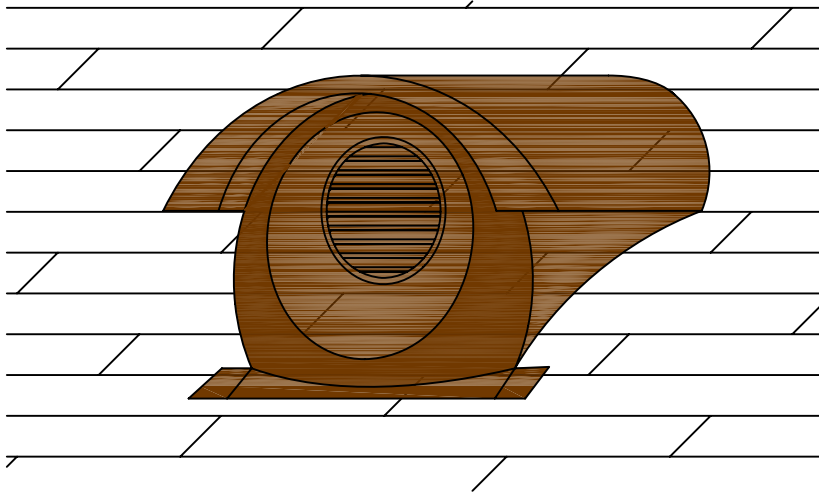


25-40 50 TH AVE.
 LIC, NY 11101
 P 718 433 2501
 F 718 433 2709
 info@bbsheetmetal.com
 www.bbsheetmetal.com

COMPANY:		DATE:
INVOICE:	PO#:	DRAWING #: DSRL/D-04
PROJECT:		PAGE(S): 1 OF 2
INSTALLATION INSTRUCTION:		DRAWING BY: NELSON SUT HO
OTHER:		APPROVED BY: BOBBY BASCHNAGEL

DOLPHIN LOUVER/DORMER

*SHOWN ON SLOPED ROOF TOP



MATERIAL:

- | | | |
|---|------------------------------|---|
| <input type="checkbox"/> COPPER | <input type="checkbox"/>]16 | <input type="checkbox"/>]20 |
| <input type="checkbox"/> FREEDOM GRAY | <input type="checkbox"/>]16 | <input type="checkbox"/>]20 |
| <input type="checkbox"/> LEAD COATED COPPER | <input type="checkbox"/>]16 | <input type="checkbox"/>]20 |
| <input type="checkbox"/> EVERGREEN COPPER | <input type="checkbox"/>]16 | <input type="checkbox"/>]20 |
| <input type="checkbox"/> GALVANIZED | <input type="checkbox"/>]22 | <input type="checkbox"/>]24 <input type="checkbox"/>]26 |
| <input type="checkbox"/> TERNE COATED STAINLESS STEEL | <input type="checkbox"/>]26 | |

GLASS TYPE:

- LOUVER
- 1" BRONZE INSULATED UNIT
- 1" LOW E INSULATED UNIT
- 1" WHITE LAMINATED SAFETY
- 1/4" DIAMOND CLEAR WIRE
- 1/4" SQUARE HAMMER WIRE
- 1/4" LAMINATED SAFETY
- 1/4" WHITE LAMINATED SAFETY



INSTALLATION: MARK OPENING IN ROOF DECK ON DESIRED COURSE.
CUT OPENING IN DECK. POSITION DORMER OVER
OPENING AND FASTEN TO DECK.

OTHER INFORMATION: SPECIFY EXACT ROOF PITCH.

OTHER: INCLUDES INSECT SCREEN OF COMPATIBLE MATERIAL.

DIMENSION:

W H QTY. PITCH
60" 60" [] []

W H QTY. PITCH
CUSTOM: _____

ONCE THE FABRICATION BEGINS, ITEMS CAN NOT BE RETURNED. THE DETAILS FOR THIS JOB WERE CHECKED AND APPROVED BY:

B & B SALES REP

NAME: _____ **SIGN:** X _____

DATE: __ / __ / __



4 Generations of Experience & 100 Years of Excellence

25-40 50 TH AVE.
LIC, NY 11101
P 718 433 2501
F 718 433 2709
info@bbsheetmetal.com
www.bbsheetmetal.com

COMPANY:

DATE:

INVOICE:

PO#:

DRAWING #:

DSRL/D-08

PROJECT:

PAGE(S):

2 OF 2

INSTALLATION INSTRUCTION:

DRAWING BY:

NELSON SUT HO

OTHER:

APPROVED BY:

BOBBY BASCHNAGEL