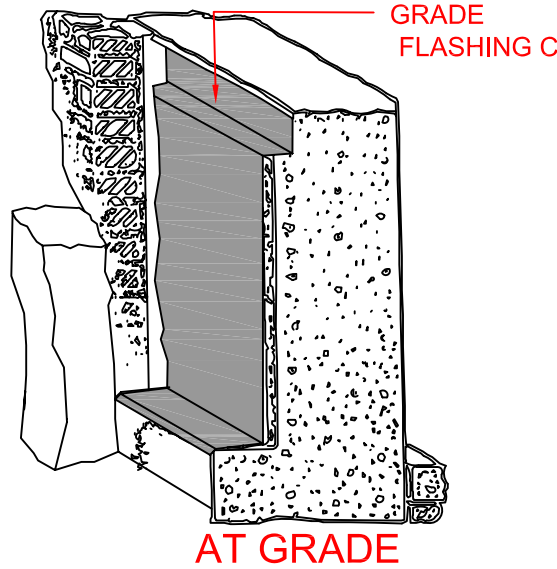


THROUGH WALL GRADE METAL FLASHING C



MATERIAL:

- COPPER 16 20
- STAINLESS STEEL 16 18 20
- 22 24 26
- LEAD COATED COPPER 16 20
- MILL FINISH ALUMINUM .019 .025 .032
- .040 .050 .063
- .080

DIMENSION:

-]A
-]B
-]C
-]D
-]E
-]LINEAR FEET

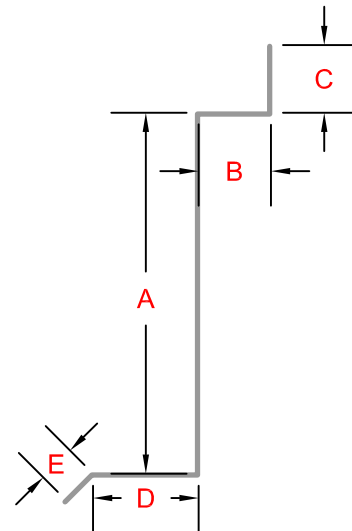
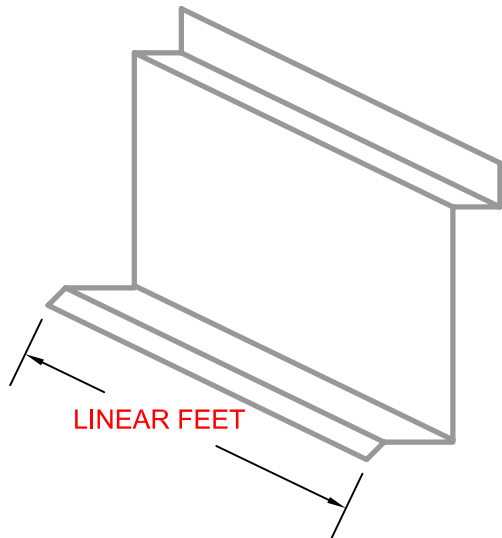
QUANTITY[]

ONCE THE FABRICATION BEGINS, ITEMS CAN NOT BE RETURNED. THE DETAILS FOR THIS JOB WERE CHECKED AND APPROVED BY: _____

B & B SALES REP

NAME: _____ SIGN: X _____

DATE: __/__/__



25-40 50 TH AVE.
 LIC, NY 11101
 P 718 433 2501
 F 718 433 2709
 info@bbsheetmetal.com
 www.bbsheetmetal.com

COMPANY:	DATE:
INVOICE:	DRAWING #: FLASH-TW3WBG03
PROJECT:	PAGE(S): 1 OF 1
INSTALLATION INSTRUCTION:	DRAWING BY: NELSON SUT HO
OTHER:	APPROVED BY: BOBBY BASCHNAGEL