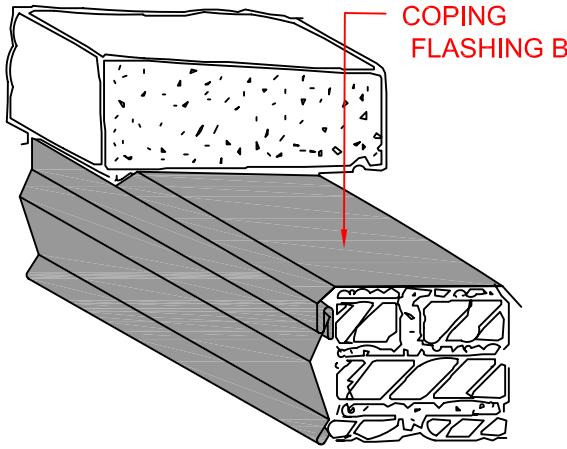
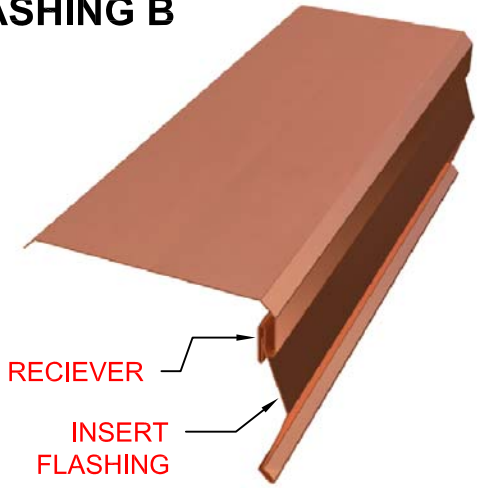


THROUGH-WALL COPING METAL FLASHING B



UNDER COPING

MATERIAL:

- COPPER []16 []20
- STAINLESS STEEL []16 []18 []20
- []22 []24 []26
- LEAD COATED COPPER []16 []20
- MILL FINISH ALUMINUM [].019 [].025 [].032
- [].040 [].050 [].063
- [].080

DIMENSION:

- []A
- []B
- []C
- []LINEAR FEET

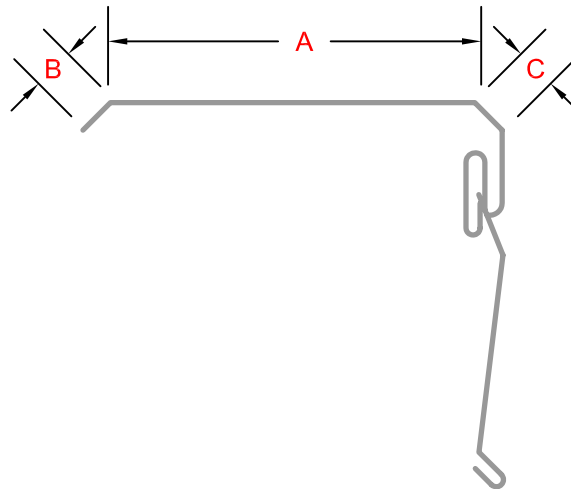
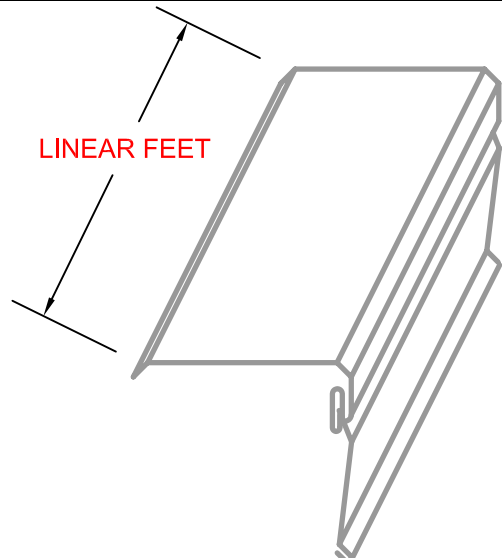
QUANTITY[]

ONCE THE FABRICATION BEGINS, ITEMS CAN NOT BE RETURNED. THE DETAILS FOR THIS JOB WERE CHECKED AND APPROVED BY: _____

B & B SALES REP

NAME: _____ SIGN: X _____

DATE: __/__/__



25-40 50 TH AVE.
 LIC, NY 11101
 P 718 433 2501
 F 718 433 2709
 info@bbsheetmetal.com
 www.bbsheetmetal.com

COMPANY:	DATE:
INVOICE:	DRAWING #: FLASH-TWC02
PROJECT:	PAGE(S): 1 OF 1
INSTALLATION INSTRUCTION:	DRAWING BY: NELSON SUT HO
OTHER:	APPROVED BY: BOBBY BASCHNAGEL