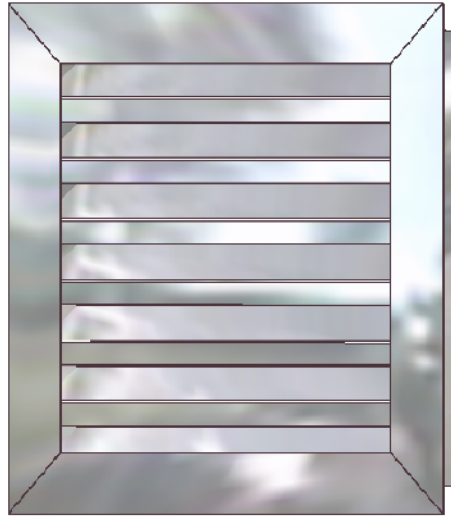
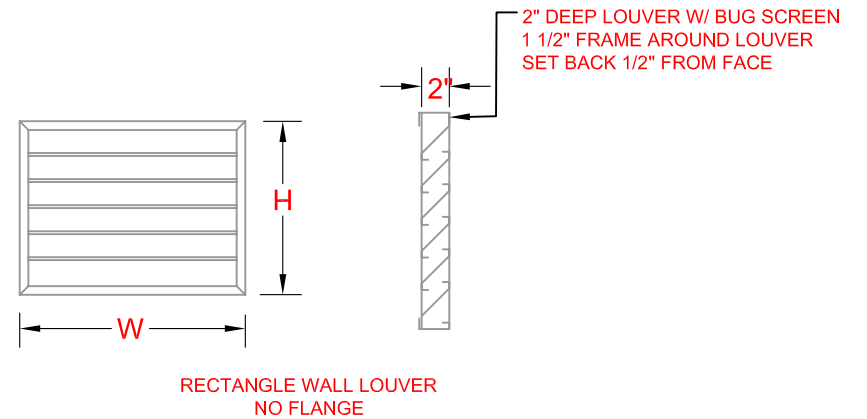
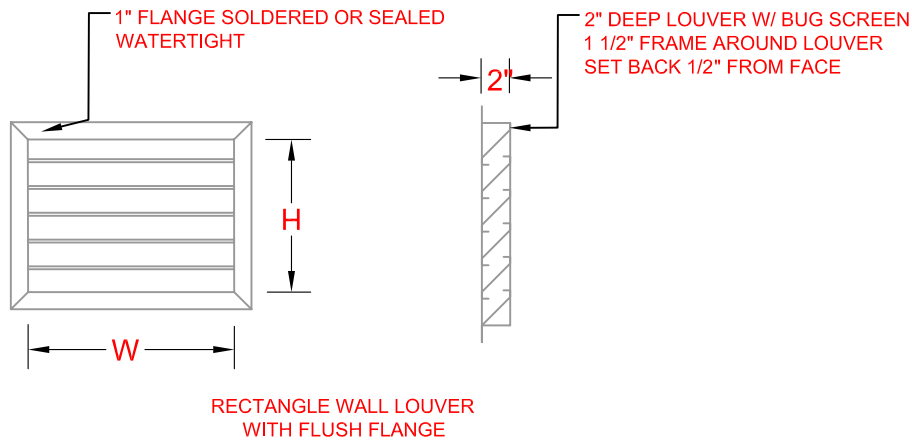


RECTANGLE WALL LOUVER



DIMENSIONS AVAILABLE:

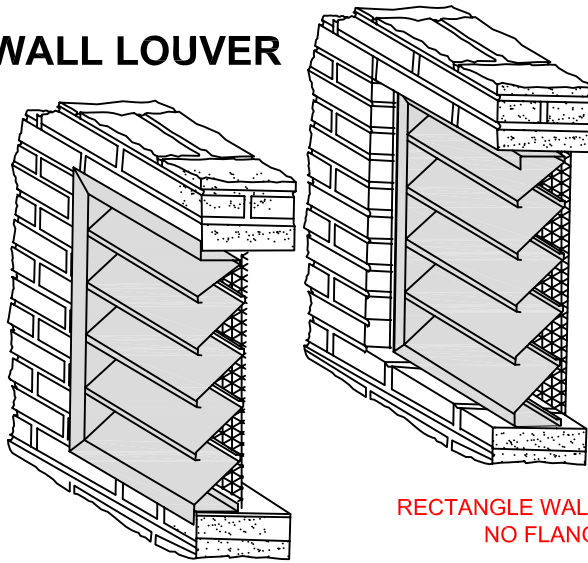
W	H	FREE AREA
24"	18"	216 SQ.IN.
36"	18"	325 SQ.IN.
36"	24"	433 SQ.IN.
48"	24"	577 SQ.IN.



25-40 50 TH AVE.
LIC, NY 11101
P 718 433 2501
F 718 433 2709
info@bbsheetmetal.com
www.bbsheetmetal.com

COMPANY:	DATE:
INVOICE:	DRAWING #: WL-02
PROJECT:	PAGE(S): 1 OF 2
INSTALLATION INSTRUCTION:	DRAWING BY: NELSON SUT HO
OTHER:	APPROVED BY: BOBBY BASCHNAGEL

RECTANGLE WALL LOUVER



RECTANGLE WALL LOUVER
WITH FLUSH FLANGE

RECTANGLE WALL LOUVER
NO FLANGE

MATERIAL:

- COPPER 16 20
- STAINLESS STEEL 20 22 24 26
- FREEDOM GRAY 16 20
- LEAD COATED COPPER 16 20
- EVERGREEN COPPER 16 20
- GALVANIZED 22 24 26
- TERNE COATED STAINLESS STEEL 26
- MILL FINISH ALUMINUM .032 .040 .050 .063
- KYNAR 500 ALUMINUM .032 .040 .063
- COLOR _____]
-
- KYNAR 500 GALVANIZED STEEL 22 24
- COLOR _____]

FLANGE:

- NO FLANGE
- FLUSH FLANGE

DIMENSION:

	W	H	QUANTITY
<input type="checkbox"/>	24"	18"	[]
<input type="checkbox"/>	36"	18"	[]
<input type="checkbox"/>	36"	24"	[]
<input type="checkbox"/>	48"	24"	[]

CUSTOM: W H QTY.

INSTALLATION: USE IN VERTICAL APPLICATION ONLY. LOUVER IS SOLDERED WATERTIGHT AROUND FLANGE OPENING SHOULD BE 1/2" LARGER THAN LOUVER ALL AROUND

OTHER INFORMATION: ABOVE DIMENSIONS DO NOT INCLUDE 1-1/2" FLANGE.

OTHER: INCLUDES INSECT SCREEN OF COMPATIBLE MATERIAL.

ONCE THE FABRICATION BEGINS, ITEMS CAN NOT BE RETURNED. THE DETAILS FOR THIS JOB WERE CHECKED AND APPROVED BY:

B & B SALES REP

NAME: _____ **SIGN:** X _____

DATE: ___ / ___ / ___



25-40 50 TH AVE.
LIC, NY 11101
P 718 433 2501
F 718 433 2709
info@bbsheetmetal.com
www.bbsheetmetal.com

COMPANY:	DATE:
INVOICE: _____ PO#: _____	DRAWING #: WL-02
PROJECT:	PAGE(S): 2 OF 2
INSTALLATION INSTRUCTION:	DRAWING BY: NELSON SUT HO
OTHER:	APPROVED BY: BOBBY BASCHNAGEL