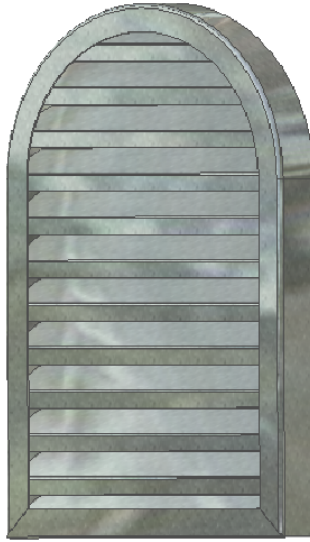
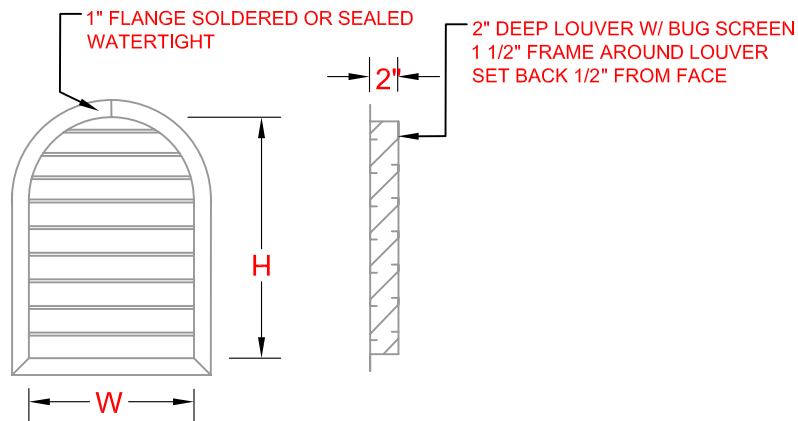


# ROUND TOP WALL LOUVER

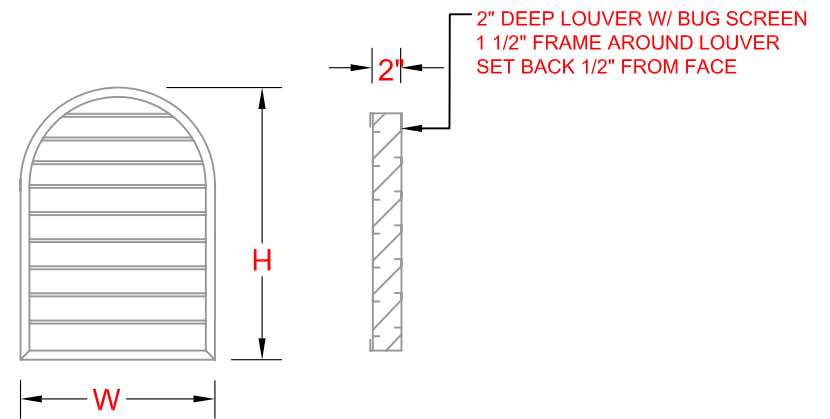


## DIMENSIONS AVAILABLE:

W	H	FREE AREA
18"	24"	202 SQ.IN.
18"	36"	310 SQ.IN.
24"	48"	406 SQ.IN.
24"	48"	550 SQ.IN.



ROUND TOP WALL LOUVER  
WITH FLUSH FLANGE



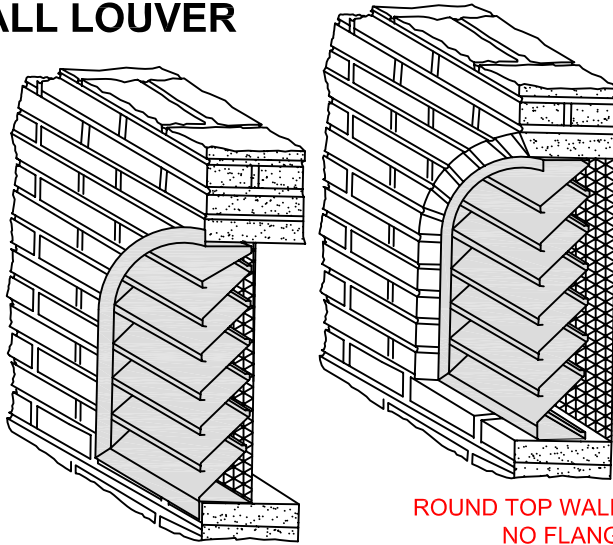
ROUJN TOP WALL LOUVER  
NO FLANGE



25-40 50 TH AVE.  
LIC, NY 11101  
P 718 433 2501  
F 718 433 2709  
info@bbsheetmetal.com  
www.bbsheetmetal.com

COMPANY:	DATE:
INVOICE:	DRAWING #: <b>WL-03</b>
PROJECT:	PAGE(S): <b>1 OF 2</b>
INSTALLATION INSTRUCTION:	DRAWING BY: <b>NELSON SUT HO</b>
OTHER:	APPROVED BY: <b>BOBBY BASCHNAGEL</b>

# ROUND TOP WALL LOUVER



ROUND TOP WALL LOUVER  
WITH FLUSH FLANGE

ROUND TOP WALL LOUVER  
NO FLANGE

## MATERIAL:

- COPPER  ]16  ]20
- STAINLESS STEEL  ]20  ]22  ]24  ]26
- FREEDOM GRAY  ]16  ]20
- LEAD COATED COPPER  ]16  ]20
- EVERGREEN COPPER  ]16  ]20
- GALVANIZED  ]22  ]24  ]26
- TERNE COATED STAINLESS STEEL  ]26

## FLANGE:

- NO FLANGE
- FLUSH FLANGE

## DIMENSION:

	W	H	QUANTITY
<input type="checkbox"/>	18"	24"	[ ]
<input type="checkbox"/>	18"	36"	[ ]
<input type="checkbox"/>	24"	36"	[ ]
<input type="checkbox"/>	24"	48"	[ ]

**INSTALLATION:** USE IN VERTICAL APPLICATION ONLY. LOUVER IS SOLDERED WATERTIGHT AROUND FLANGE OPENING SHOULD BE 1/2" LARGER THAN LOUVER ALL AROUND

**OTHER INFORMATION:** ABOVE DIMENSIONS DO NOT INCLUDE 1-1/2" FLANGE.

**OTHER:** INCLUDES INSECT SCREEN OF COMPATIBLE MATERIAL.

	W	H	QTY.
CUSTOM:	_____	_____	_____

**ONCE THE FABRICATION BEGINS, ITEMS CAN NOT BE RETURNED. THE DETAILS FOR THIS JOB WERE CHECKED AND APPROVED BY:**

\_\_\_\_\_ **B & B SALES REP**

**NAME:** \_\_\_\_\_ **SIGN:** X \_\_\_\_\_

**DATE:** \_\_\_ / \_\_\_ / \_\_\_



25-40 50 TH AVE.  
LIC, NY 11101  
P 718 433 2501  
F 718 433 2709  
info@bbsheetmetal.com  
www.bbsheetmetal.com

COMPANY:	DATE:
INVOICE: PO#:	DRAWING #: WL-03
PROJECT:	PAGE(S): 2 OF 2
INSTALLATION INSTRUCTION:	DRAWING BY: NELSON SUT HO
OTHER:	APPROVED BY: BOBBY BASCHNAGEL