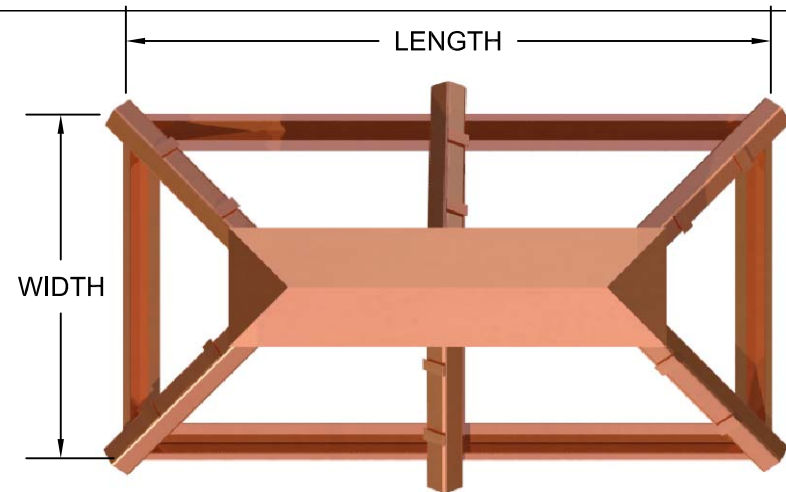
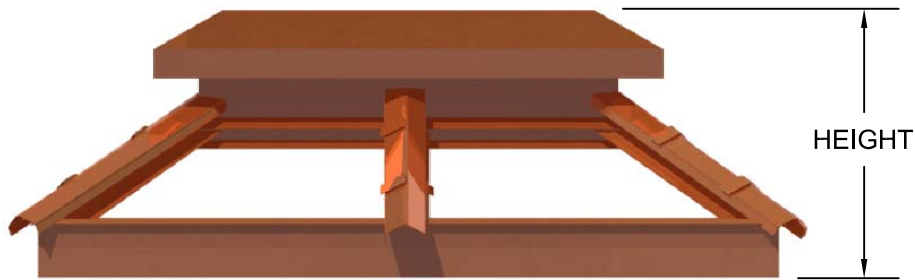


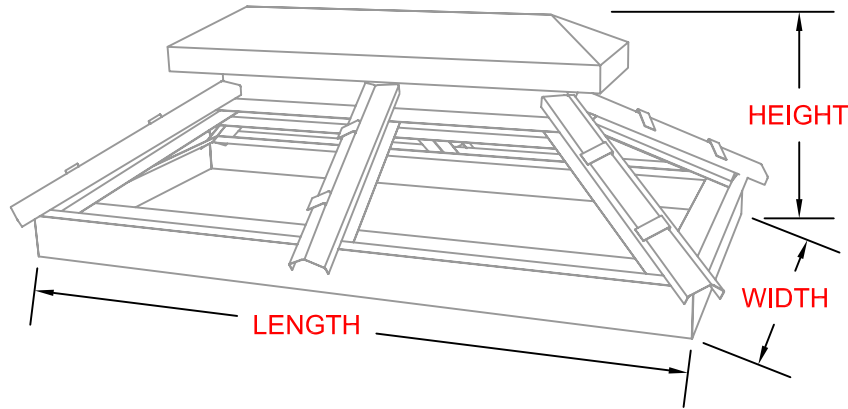
NYC APPROVED  
SKYLIGHT



25-40 50 TH AVE.  
LIC, NY 11101  
P 718 433 2501  
F 718 433 2709  
info@bbsheetmetal.com  
www.bbsheetmetal.com

COMPANY:	DATE:
INVOICE: PO#:	DRAWING #: SFR-13
PROJECT:	PAGE(S): 1 OF 2
INSTALLATION INSTRUCTION:	DRAWING BY: NELSON SUT HO
OTHER:	APPROVED BY: BOBBY BASCHNAGEL

**NYC APPROVED  
SKYLIGHT**

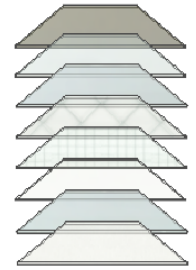


**MATERIAL:**

- COPPER  16  20
- FREEDOM GRAY  16  20
- LEAD COATED COPPER  16  20
- EVERGREEN COPPER  16  20
- GALVANIZED  24  26
- TERNE COATED STAINLESS STEEL  26

**GLASS TYPE:**

- NO GLASS
- 1" BRONZE INSULATED UNIT
- 1" LOW E INSULATED UNIT
- 1" WHITE LAMINATED SAFETY
- 1/4" DIAMOND CLEAR WIRE
- 1/4" SQUARE HAMMER WIRE
- 1/4" LAMINATED SAFETY
- 1/4" WHITE LAMINATED SAFETY
- 1/4" RIBBED



**PROTECTIVE SCREEN:**

- NO PROTECTIVE SCREEN
- TOP
- BOTTOM
- TOP & BOTTOM

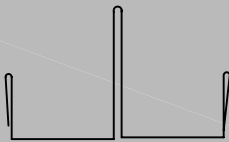


WIDTH: [     ] LENGTH: [     ] HEIGHT: [     ]

**OFFICE USE ONLY**

**BARS:**

COMMON BAR



PUDDY BAR

SMALL



LARGE



**ONCE THE FABRICATION BEGINS, ITEMS CANNOT BE RETURNED. THE DETAILS FOR THIS JOB WERE CHECKED AND APPROVED BY:**

**B & B SALES REP**

NAME: \_\_\_\_\_ SIGN: X \_\_\_\_\_ DATE: \_\_ / \_\_ / \_\_



25-40 50 TH AVE.  
LIC, NY 11101  
P 718 433 2501  
F 718 433 2709  
info@bbsheetmetal.com  
www.bbsheetmetal.com

COMPANY:	DATE:
INVOICE: PO#:	DRAWING #: <b>SFR-13</b>
PROJECT:	PAGE(S): <b>2 OF 2</b>
INSTALLATION INSTRUCTION:	DRAWING BY: <b>NELSON SUT HO</b>
OTHER:	APPROVED BY: <b>BOBBY BASCHNAGEL</b>