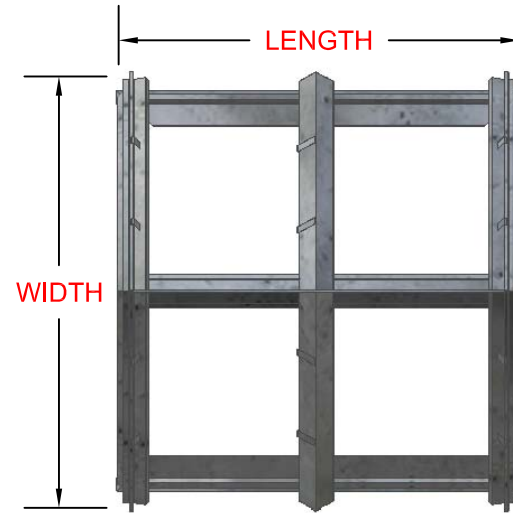
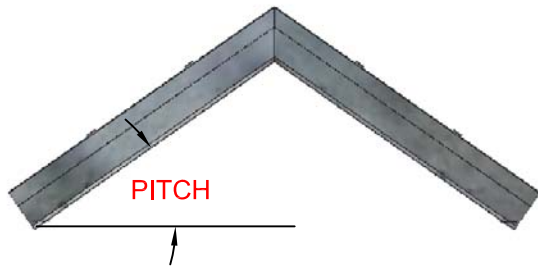
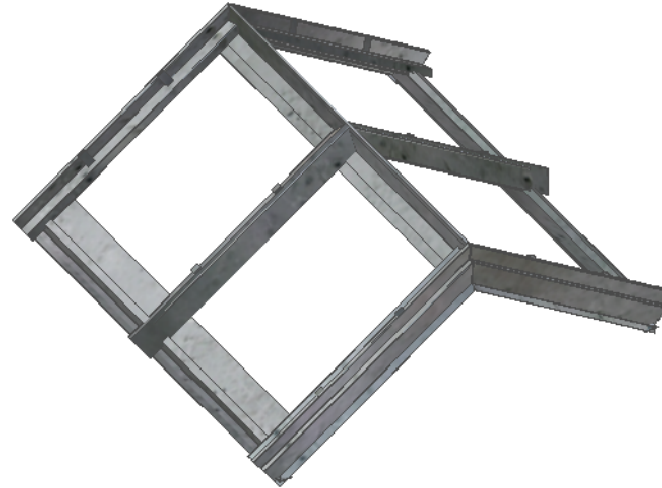


FLAT RIDGE SKYLIGHT



25-40 50 TH AVE.
 LIC, NY 11101
 P 718 433 2501
 F 718 433 2709
 info@bbsheetmetal.com
 www.bbsheetmetal.com

COMPANY:	DATE:
INVOICE:	DRAWING #: SSR-01
PROJECT:	PAGE(S): 1 OF 2
INSTALLATION INSTRUCTION:	DRAWING BY: NELSON SUT HO
OTHER:	APPROVED BY: BOBBY BASCHNAGEL

