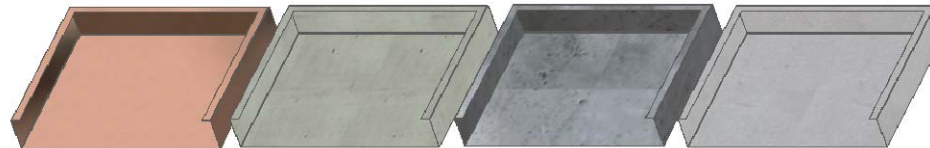
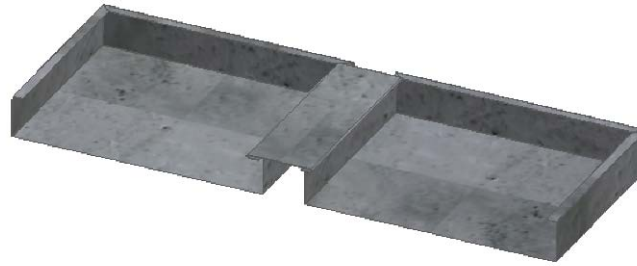


# BATTEN SEAM METAL ROOF PANEL

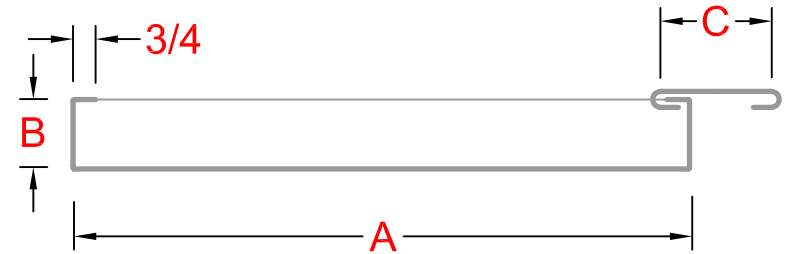
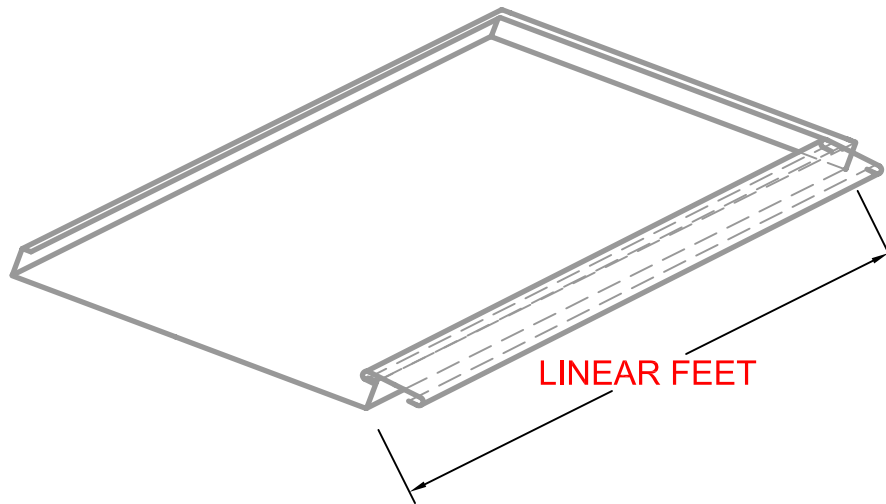


COPPER

FREEDOM  
GRAY

LEAD COATED  
COPPER

TERNE COATED  
STAINLESS STEEL



LINEAR FEET

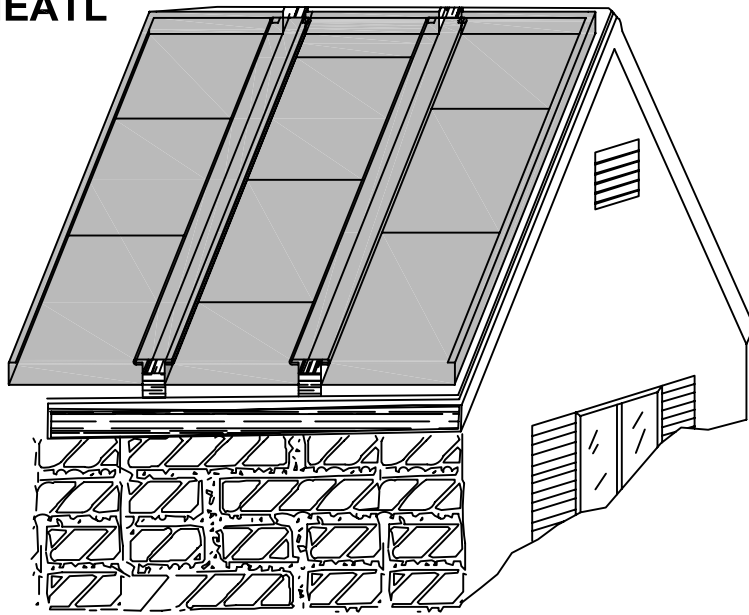


25-40 50 TH AVE.  
LIC, NY 11101  
P 718 433 2501  
F 718 433 2709  
info@bbsheetmetal.com  
www.bbsheetmetal.com

COMPANY:	DATE:
INVOICE:	DRAWING #:
PROJECT:	MRP-03
INSTALLATION INSTRUCTION:	PAGE(S):
OTHER:	1 OF 2
	DRAWING BY:
	NELSON SUT HO
	APPROVED BY:
	BOBBY BASCHNAGEL

**BATTEN SEAM METAL  
ROOF PANEL**

\*SHOWN ON SLOPED ROOF



**MATERIAL:**

- [ ] COPPER [ ] 16 [ ] 20
- [ ] FREEDOM GRAY [ ] 16 [ ] 20
- [ ] LEAD COATED COPPER [ ] 16 [ ] 20
- [ ] TERNE COATED STAINLESS STEEL **26**

**DIMENSION:**

- PANEL
- [ ] A
  - [ ] B
  - [ ] LINEAR FEET
- CAPPING STRIP
- [ ] C
  - [ ] LINEAR FEET

QUANTITY [ ] QUANTITY [ ]

**INFORMATION:** THE CAPPING STRIPS ARE PLACED INTO POSITION BY OVERLAPPING. THEY ARE FIXED AT THE TOP BY A NAILING CLIP, SECURING THE UPPER END OF THE PANEL WHILE AT THE SAME TIME ALLOWING IT TO EXPAND FREELY.

**OTHER:** NONE.

ONCE THE FABRICATION BEGINS, ITEMS CAN NOT BE RETURNED. THE DETAILS FOR THIS JOB WERE CHECKED AND APPROVED BY:

\_\_\_\_\_ **B & B SALES REP**

NAME: \_\_\_\_\_ SIGN: X \_\_\_\_\_ DATE: \_\_ / \_\_ / \_\_\_\_



25-40 50 TH AVE.  
LIC, NY 11101  
P 718 433 2501  
F 718 433 2709  
info@bbsheetmetal.com  
www.bbsheetmetal.com

COMPANY:	DATE:
INVOICE: PO#:	DRAWING #: <b>MRP-03</b>
PROJECT:	PAGE(S): <b>2 OF 2</b>
INSTALLATION INSTRUCTION:	DRAWING BY: <b>NELSON SUT HO</b>
OTHER:	APPROVED BY: <b>BOBBY BASCHNAGEL</b>