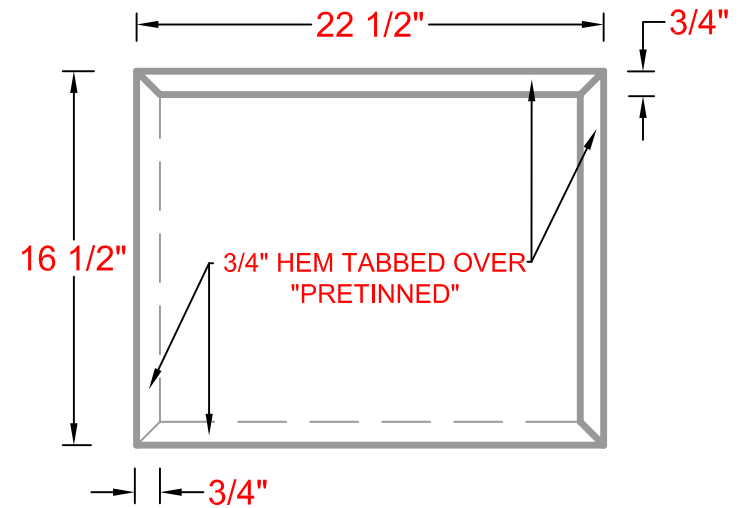
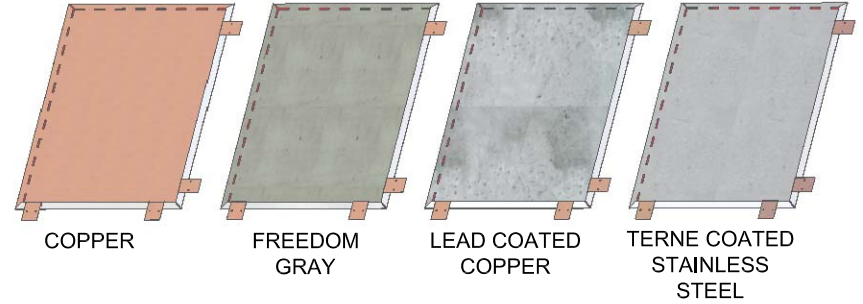


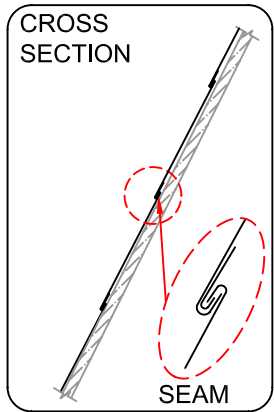
FLAT "PRETINNED" SEAM METAL ROOF PANEL



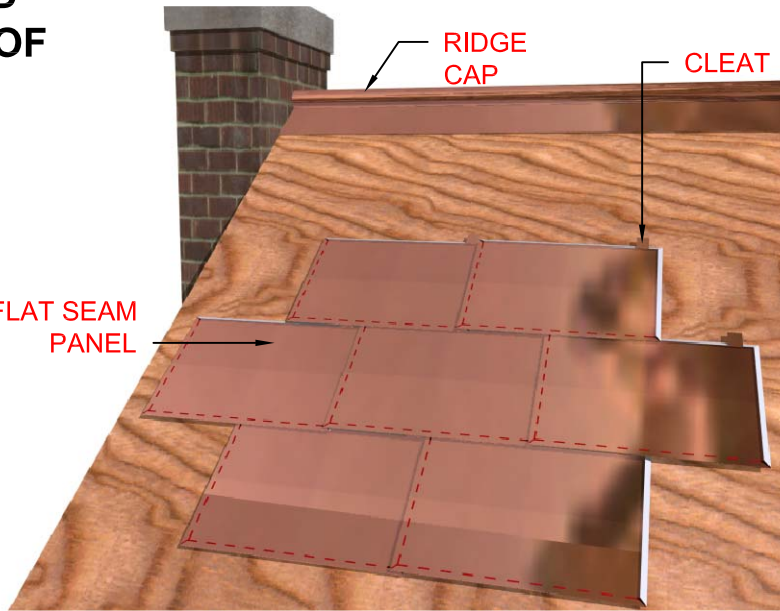
25-40 50 TH AVE.
 LIC, NY 11101
 P 718 433 2501
 F 718 433 2709
 info@bbsheetmetal.com
 www.bbsheetmetal.com

COMPANY:	DATE:
INVOICE:	DRAWING #: MRP-04
PROJECT:	PAGE(S): 1 OF 2
INSTALLATION INSTRUCTION:	DRAWING BY: NELSON SUT HO
OTHER:	APPROVED BY: BOBBY BASCHNAGEL

FLAT "PRETINNED" SEAM METAL ROOF PANEL



FLAT SEAM PANEL

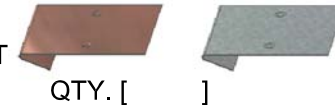


MATERIAL:

- COPPER []16 []20
- FREEDOM GRAY []16 []20
- LEAD COATED COPPER []16 []20
- TERNE COATED STAINLESS STEEL 26

CLEAT:

- NO CLEAT
- CLEAT



OFFICE USE ONLY

- COPPER CLEAT
- GALVANIZED STEEL CLEAT

QUANTITY []

INFORMATION:

"PRETINNED" SEAM IS TO OPTIMIZE DURABILITY AND WEATHERABILITY. IT PROVIDES EXTRA DURABILITY.

OTHER:

CLEATS ARE DETERMINED BASED ON CHOSEN MATERIALS; COPPER OR GALVANIZED STEEL.

ONCE THE FABRICATION BEGINS, ITEMS CAN NOT BE RETURNED. THE DETAILS FOR THIS JOB WERE CHECKED AND APPROVED BY:

_____ B & B SALES REP

NAME: _____ SIGN: X _____

DATE: __ / __ / __



25-40 50 TH AVE.
LIC, NY 11101
P 718 433 2501
F 718 433 2709
info@bbsheetmetal.com
www.bbsheetmetal.com

COMPANY:	DATE:
INVOICE: PO#:	DRAWING #: MRP-04
PROJECT:	PAGE(S): 2 OF 2
INSTALLATION INSTRUCTION:	DRAWING BY: NELSON SUT HO
OTHER:	APPROVED BY: BOBBY BASCHNAGEL