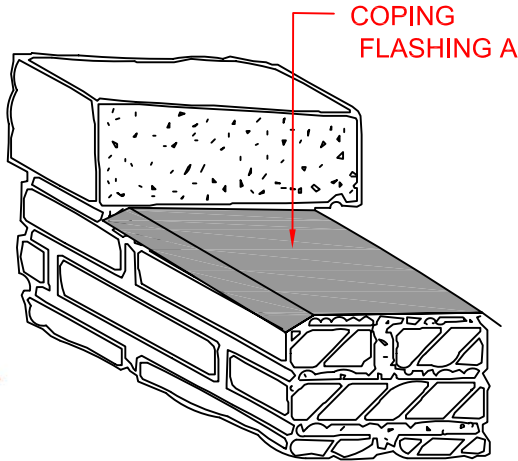
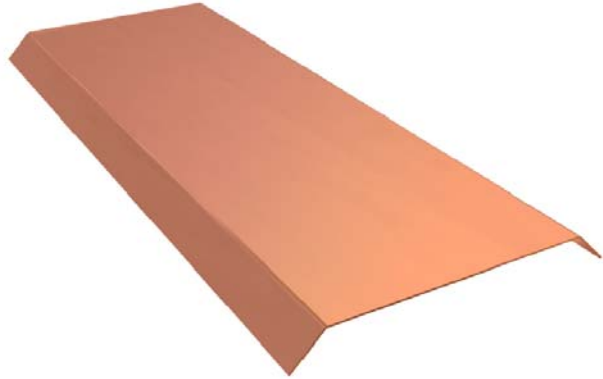


# THROUGH-WALL COPING METAL FLASHING A



**UNDER COPING**

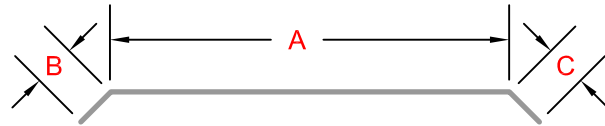
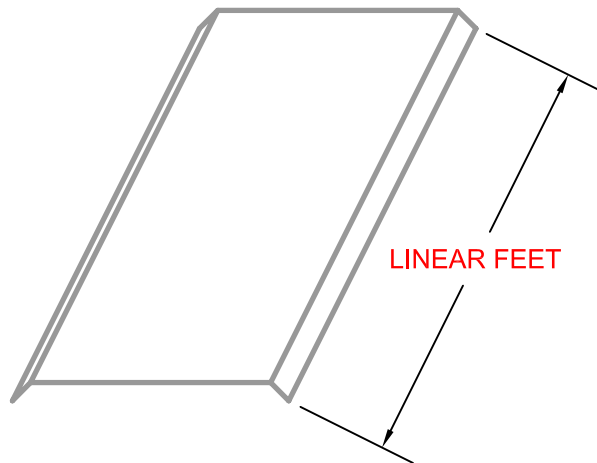
## MATERIAL:

- COPPER  16  20
- STAINLESS STEEL  16  18  20
- LEAD COATED COPPER  22  24  26
- MILL FINISH ALUMINUM  16  20
- .019  .025  .032
- .040  .050  .063
- .080

## DIMENSION:

- A
- B
- C
- LINEAR FEET

QUANTITY[     ]



**ONCE THE FABRICATION BEGINS, ITEMS CAN NOT BE RETURNED. THE DETAILS FOR THIS JOB WERE CHECKED AND APPROVED BY:** \_\_\_\_\_

**B & B SALES REP**

**NAME:** \_\_\_\_\_ **SIGN:** X \_\_\_\_\_

**DATE:** \_\_/\_\_/\_\_



4 Generations of Experience & 100 Years of Excellence

25-40 50 TH AVE.  
LIC, NY 11101  
P 718 433 2501  
F 718 433 2709  
info@bbsheetmetal.com  
www.bbsheetmetal.com

COMPANY:

INVOICE:

PO#:

PROJECT:

INSTALLATION INSTRUCTION:

OTHER:

DATE:

DRAWING #:

**FLASH-TWC01**

PAGE(S):

**1 OF 1**

DRAWING BY:

**NELSON SUT HO**

APPROVED BY:

**BOBBY BASCHNAGEL**